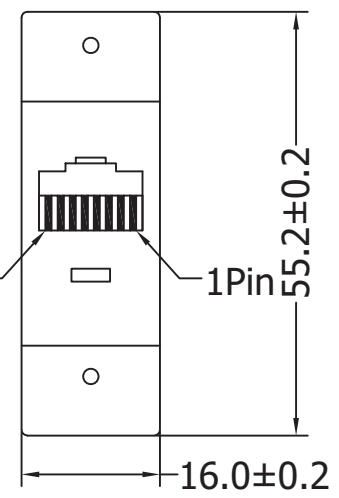
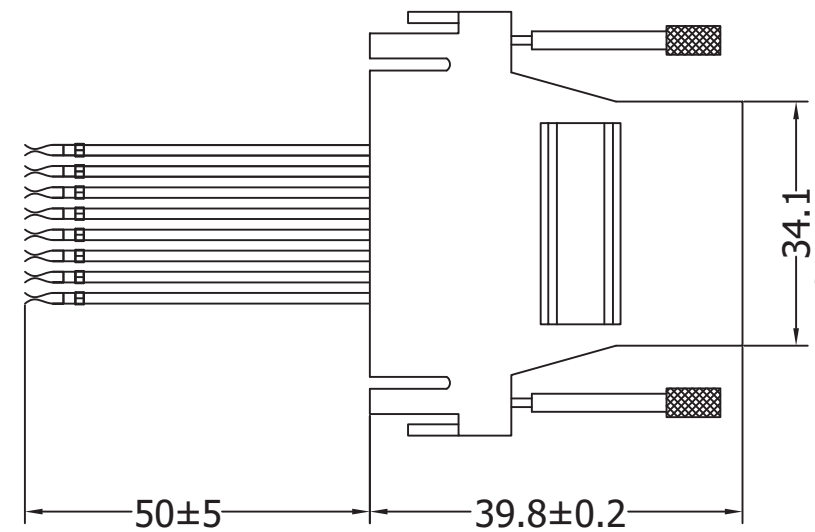
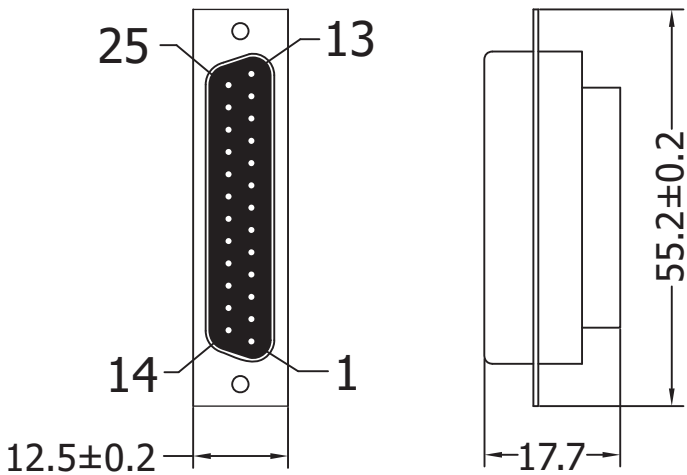
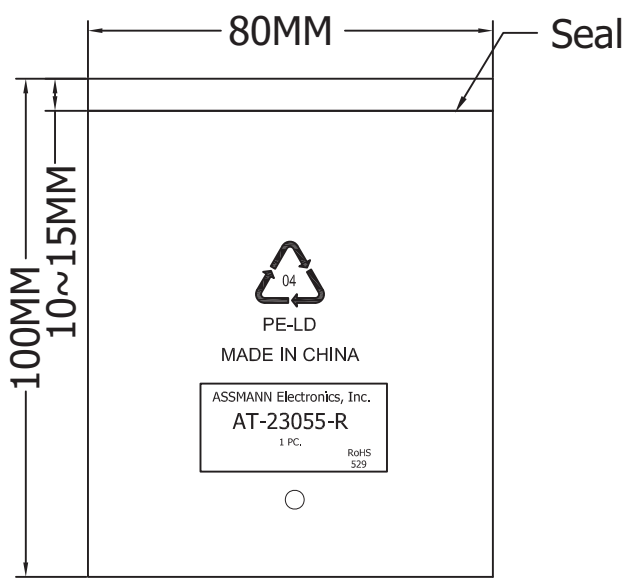


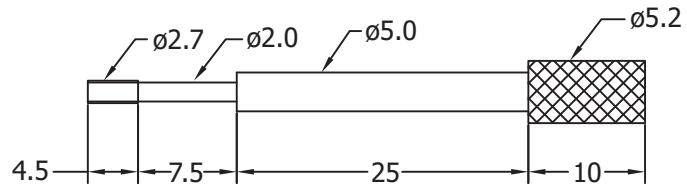
# P1



# P2



1PCS/PE Bag



### Pin Assignment

P1	P2
Blue	1
Orange	2
Black	3
Red	4
Green	5
Yellow	6
Brown	7
White	8

### Material:

- Cable: UL 26AWG, 60MM
  - Blue, Orange, Black, Red, Green, Yellow, Brown, White
- P1 Connector: D-Sub 25-Pin Female
  - Crimp Type
  - Black Insulation
- P2 Connector: RJ45 8P8C Female 3μ"
- Color: Beige
- PVC Housing
- Thumbscrew: 5\*37MM

⊕ = Assmann logo



**ITEM NO.**  
**AT-23055-R**

**TITLE**  
 D-Sub Modular Adapter  
 25-Pin Female <=> RJ45 Female, Beige

**ASSMANN**  
 Electronics, Inc.

1840 W. Drake Drive, Suite 101 • Tempe, AZ 85283  
 Toll Free: 1-877-277-6266 • Email: info@usa-assmann.com

THIS DRAWING IS UNPUBLISHED  
 ©Copyright 2010 by Assmann Electronic Components  
 All International Rights Reserved