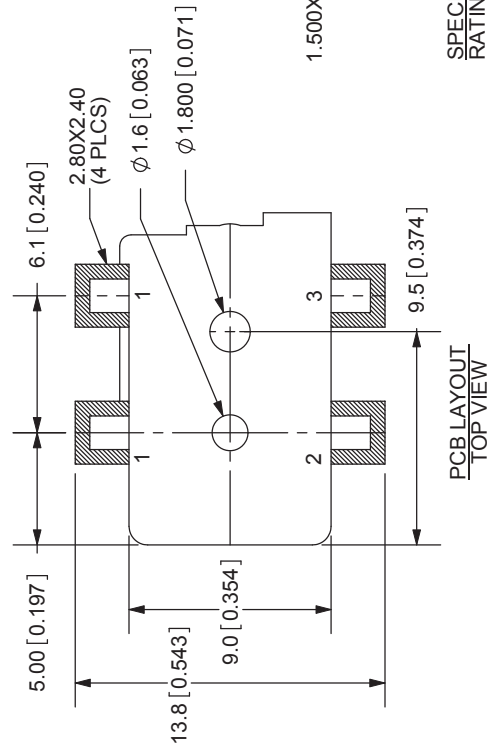
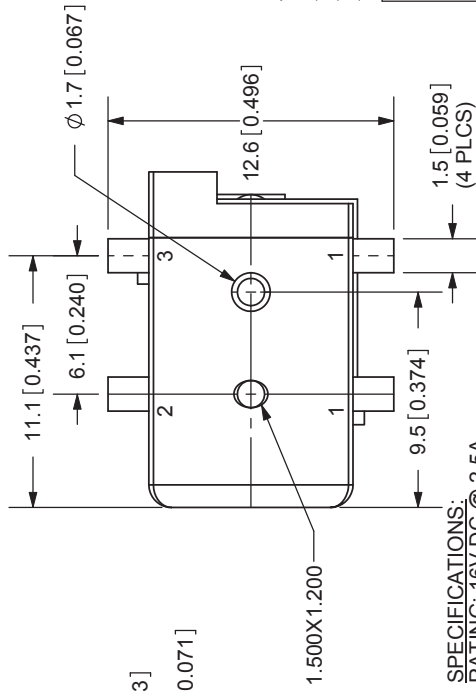
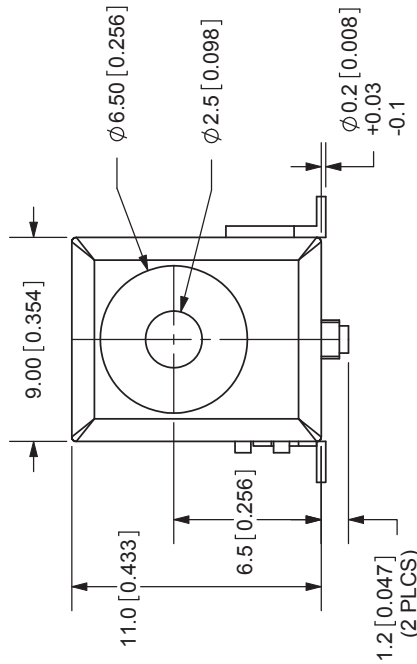
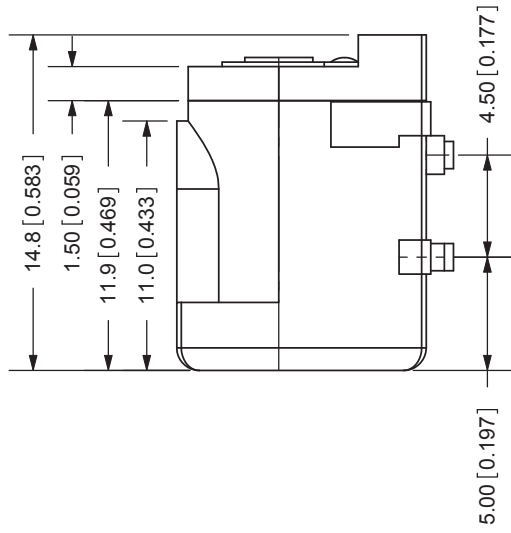


| REV. | DESCRIPTION | DATE |
|------|----------------------|------------|
| A | NEW DRAWING | 11/15/2005 |
| B | corrected spec error | 10/29/2007 |

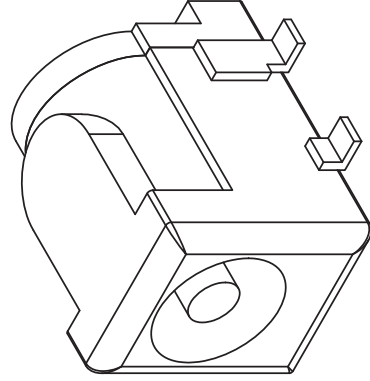


SPECIFICATIONS:
 RATING: 16V DC @ 2.5A
 CONTACT RESISTANCE: 30m OHMS MAX
 INSULATION RESISTANCE: 50M OHMS MIN: 500V DC
 VOLTAGE WITHSTAND: 500V AC R.M.S. FOR 1 MINUTE
 LIFE: 5,000 CYCLES
 OPERATING TEMP: -25° - +85°C

| | |
|--------------------------------|-------------|
| MODEL NO. | PJ-002B-SMT |
| SCHEMATIC | |
| CENTER PIN DIAMETER 2.5mm Dia. | |

PC FILE NAME: PJ-002B-SMT
 COPYRIGHT 2007 BY CUI INC. B

| CENTER PIN | MATERIAL | PLATING |
|------------|--------------|---------|
| TERMINAL 1 | Copper | Nickel |
| TERMINAL 2 | Brass | Silver |
| TERMINAL 3 | Copper Alloy | Silver |
| HOUSING | Brass | Silver |
| | PA6T | Silver |



TOLERANCE:
 X.X ±0.2mm
 X.XX ±0.1mm
 X.XXX ±0.05mm



20050 SW 112th Ave.
 Tualatin, OR 97062
 Phone: 503-612-2300
 800-275-4899
 Fax: 503-612-2383
 Website: www.cui.com

| | | |
|-----------|--------------------------------|--------------------|
| TITLE: | 2.5mm SURFACE MOUNT POWER JACK | REV: A |
| PART NO: | PJ-002B-SMT | UNITS: MM [INCHES] |
| DRAWN BY: | ZRJ | APPROVED BY: |
| | | SCALE: 2:1 |