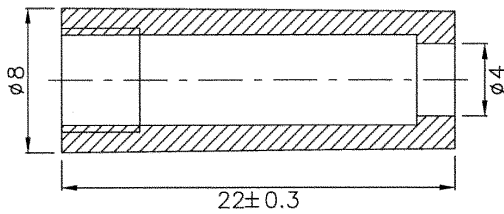
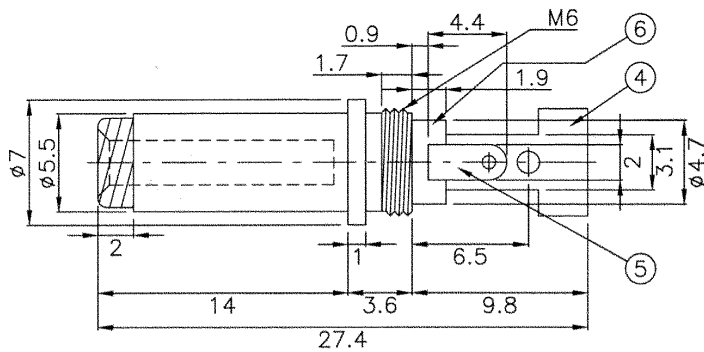


No	DESCRIPTION	MATERIAL	FINISH
1.	INNER BARREL	BRASS	NICKEL PLATED
2.	INSULATOR RING	POM	BLACK COLOR
3.	OUTER SLEEVE	BRASS	NICKEL PLATED
4.	GROUND TERMINAL	BRASS	NICKEL PLATED
5.	TERMINAL	BRASS	NICKEL PLATED
6.	INSULATOR	POM	RED COLOR
7.	HOUSING	BAKELITE	BLACK COLOR

TOLERANCE: ±0.3MM UNLESS OTHERWISE SPECIFIED



9615 SW Allen, Suite 103  
 Beaverton, OR 97005  
 Phone: (503) 643-4899  
 800-275-4899  
 Fax: (503) 643-6129  
 Website: www.cui.com

TITLE: 2.5Ø DC PLUG		
PART NO. PP-002B	UNITS: MM [INCHES]	
DRAWN BY: Todd R. White	APPROVED BY:	SCALE: 3X

PC FILE NAME:  
PP\_002B.DWG  
 COPYRIGHT 1997 BY CUI INC.