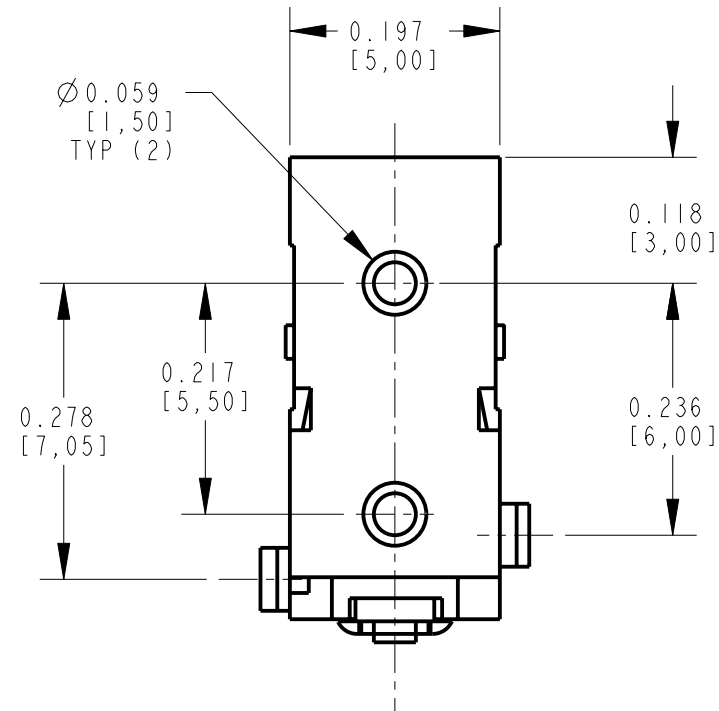
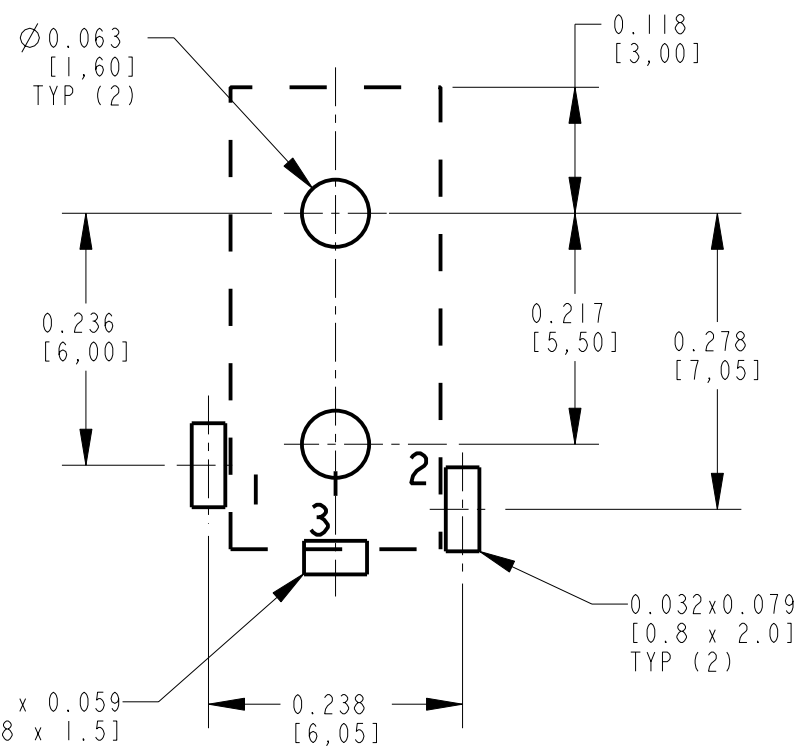


SCHMATIC



NOTES:

1. ALL DIMENSIONS ARE REFERENCE.
2. MATERIALS:
HOUSING: THERMOPLASTIC, BLACK
SPRING CONTACT: COPPER ALLOY, SILVER PLATED
SHUNT TERMINAL: COPPER ALLOY, SILVER PLATED
CENTER PIN: COPPER ALLOY, SILVER PLATED
3. THIS PRODUCT IS RoHS COMPLIANT

CUSTOMER DRAWING

PC BOARD LAYOUT
COMPONENT SIDE

					★ STAR SYMBOL DENOTES CRITICAL DIMENSION		THIS DRAWING DESCRIBES A DESIGN CONSIDERED PROPRIETARY IN NATURE, DEVELOPED AND MANUFACTURED BY SWITCHCRAFT INC. AND IS RELEASED ON A CONFIDENTIAL BASIS FOR IDENTIFICATION PURPOSES ONLY.				
					UNLESS OTHERWISE SPECIFIED		SIZE	WIDTH	MULT	LBS/M	TEMPER
					1. ALL DIMENSIONS IN INCHES - TWO PLACE DECIMALS ±0.01 - THREE PLACE DECIMALS ±0.005 - ANGLES ±1° - ALL DIA. CONCENTRIC WITHIN 0.005 T.I.R.		FINISH		MATERIAL		
					2. FEATURES ON THE SAME CENTERLINE MUST BE ALIGNED WITHIN ±0.002		SPEC No.		SPEC No.		
					3. REMOVE ALL BURRS		FIRST USED ON		SCALE		Switchcraft [®]
					DO NOT SCALE DRAWING		5 : 1		SHEET OF		
REV	ECO NUMBER	DATE	BY	APVD	NAME		DATE DRAWN	BY	CHKD	APVD	PART No.
A	25129	9-9-05	JL	MW	RIGHT ANGLE PCB DC JACK ∅0.65mm PIN, RoHS		09-Sep-05	JL	MW	MW	RAPC752X
REVISIONS											REV
											A