

4

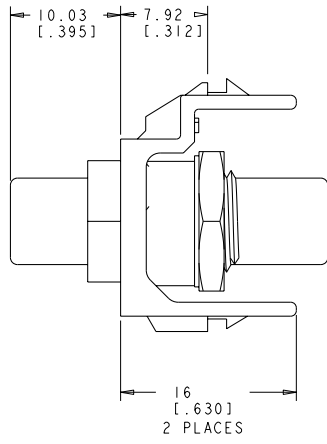
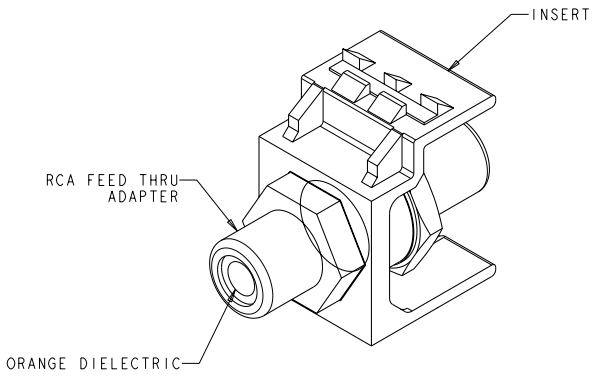
3

2

1

THIS DRAWING IS UNPUBLISHED. RELEASED FOR PUBLICATION BY TYCO ELECTRONICS CORPORATION. ALL RIGHTS RESERVED. COPYRIGHT 20

REV	DATE	BY	CHKD	APPROV
A	27NOV2006	LHS	GB	
B	17MAR2010	GG	RA	



⚠ MATERIAL:
 INSERT - POLYCARBONATE MOLDING COMPOUND,
 SEE TABLE FOR COLOR.
 ADAPTER - BRASS, GOLD PLATED.

⚠ UNLESS OTHERWISE SPECIFIED ALL
 DIMENSIONS ARE SHOWN NOMINAL.

ALPINE WHITE	1-1933194-3
ELECTRIC IVORY	1-1933194-1
NEMA GRAY	1933194-4
WHITE	1933194-3
BLACK	1933194-2
LIGHT ALMOND	1933194-1
COLOR	PART NUMBER

DIMENSIONS: MM (INCHES)		TO DRAWING REVISED: OPERATIVE SPECIFICATIONS		DWN 27NOV2006 CDR I. SMITH 27NOV2006 APPR G. BOWMAN 27NOV2006 NAME G. BOWMAN	Tyco Electronics Harrisburg, PA 17105-3608
0 PLC - 1 PLC - 2 PLC - 3 PLC - 4 PLC - ANGLES - FINISH -	0 PLC - 1 PLC - 2 PLC - 3 PLC - 4 PLC - ANGLES - FINISH -	PRODUCT SPEC - APPLICATION SPEC - WEIGHT - CUSTOMER DRAWING	TITLE CASE CODE DRAWING NO A2 00779 C-1933194	RESTRICTED TO SCALE 4:1 SHEET 1 OF 1 REV B	