

4

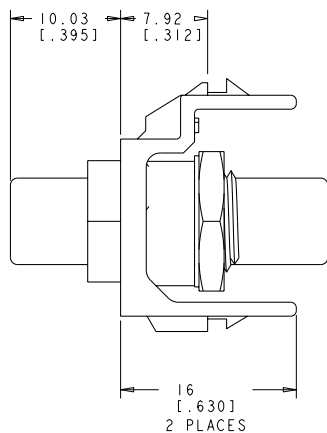
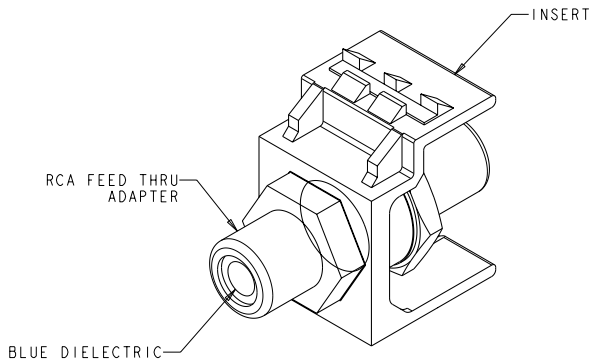
3

2

1

THIS DRAWING IS UNPUBLISHED. RELEASED FOR PUBLICATION
 BY TYCO ELECTRONICS CORPORATION. ALL RIGHTS RESERVED.

REV	DATE	BY	CHKD	APPROV
A	27NOV2006	LHS	GB	
B	17MAR2010	GG	RA	



⚠ MATERIAL :
 INSERT - POLYCARBONATE MOLDING COMPOUND,
 SEE TABLE FOR COLOR.
 ADAPTER - BRASS, GOLD PLATED.
 ⚠ UNLESS OTHERWISE SPECIFIED ALL
 DIMENSIONS ARE SHOWN NOMINAL.

ALPINE WHITE	I-1933193-3
ELECTRIC IVORY	I-1933193-1
NEMA GRAY	1933193-4
WHITE	1933193-3
BLACK	1933193-2
LIGHT ALMOND	1933193-1
COLOR	PART NUMBER

DATE: 27NOV2006	BY: SMITH	CHKD: BOWMAN	DATE: 27NOV2006	APPD: BOWMAN	DATE: 27NOV2006	NAME: BOWMAN	TYCO ELECTRONICS Harrisburg, PA 17105-3608
DIMENSIONS: MM (INCHES)		TOLERANCES UNLESS OTHERWISE SPECIFIED:		FINISH SPEC:		PART NUMBER: INSERT ASSEMBLY, RCA FEED-THRU, BLUE, SL SERIES	
D: .015		F: .005		H: .005		MATERIAL: BRASS, GOLD PLATED	
E: .005		G: .005		K: .005		FINISH: -	
H: .005		L: .005		M: .005		WEIGHT: -	
J: .005		N: .005		P: .005		CUSTOMER DRAWING	
K: .005		R: .005		S: .005		SCALE: 4:1	
L: .005		T: .005		U: .005		SHEET 1 OF 1	
M: .005		V: .005		W: .005		REV B	
N: .005		X: .005		Y: .005			
O: .005		Z: .005					