

4

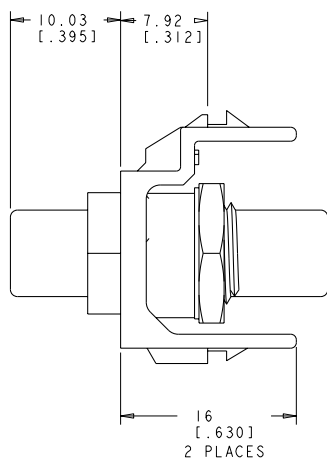
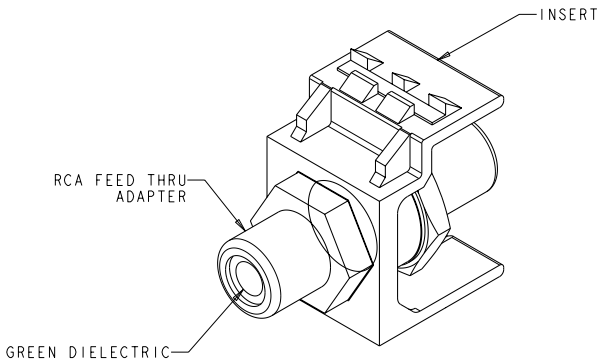
3

2

1

THIS DRAWING IS UNPUBLISHED. RELEASED FOR PUBLICATION
 BY TYCO ELECTRONICS CORPORATION. ALL RIGHTS RESERVED.

REV	DATE	BY	CHKD	APPROV
A	27NOV2006	LHS	GB	
B	17MAR2010	GG	RA	



△ MATERIAL:
 INSERT - POLYCARBONATE MOLDING COMPOUND,
 SEE TABLE FOR COLOR.
 ADAPTER - BRASS, GOLD PLATED.
 △ UNLESS OTHERWISE SPECIFIED ALL
 DIMENSIONS ARE SHOWN NOMINAL.

ALPINE WHITE	1-1933192-3
ELECTRIC IVORY	1-1933192-1
NEMA GRAY	1933192-4
WHITE	1933192-3
BLACK	1933192-2
LIGHT ALMOND	1933192-1
COLOR	PART NUMBER

DATE: 27NOV2006	BY: SMITH	CHKD: BOWMAN	APPD: BOWMAN	NAME: INSERT ASSEMBLY, RCA FEED-THRU, GREEN, SL SERIES
DIMENSIONS: MM (INCHES)	TO: PLACES ONLY	OPERATION: SPECIFIED	PRODUCT SPEC:	APPLICATION SPEC:
MATERIAL:	FINISH:	WEIGHT:	SCALE: 4:1	SHEET 1 OF 1