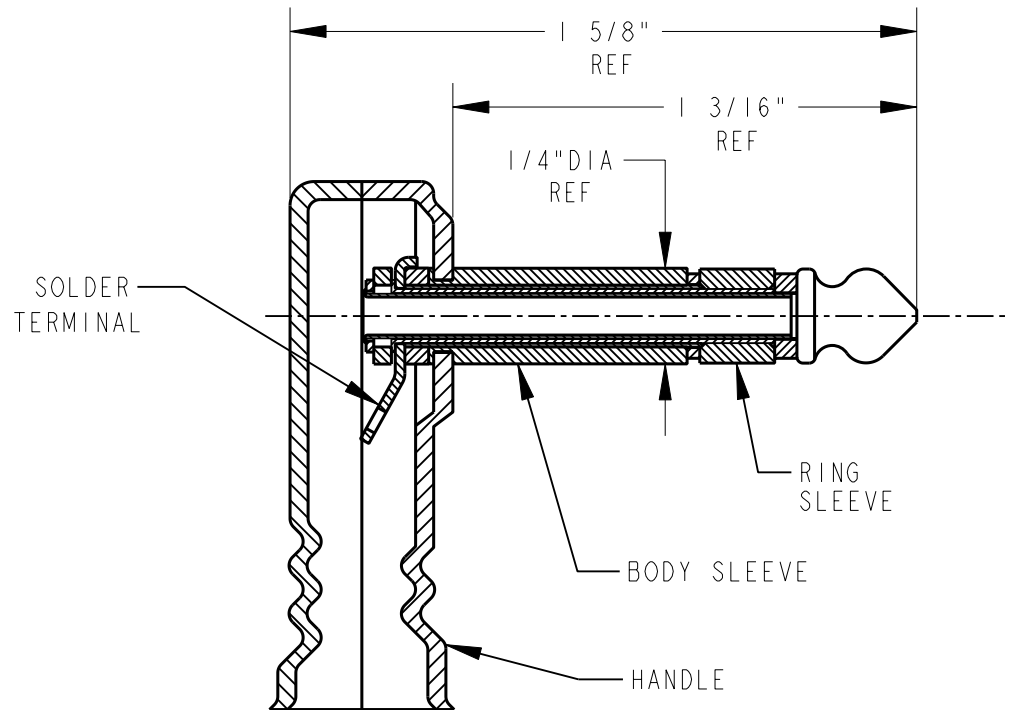


ACCEPTS .210 TO .250  
DIA. CABLE REF.



SECTION

SEPCIFICATIONS:

TIP ROD AND SLEEVE: BRASS, BRIGHT NICKEL PLATED.

TERMINALS: BRASS, ELECTRO-TINNED.

HANDLE AND COVER: BRIGHT NICKEL PLATED STEEL.

CUSTOMER DRAWING

CAD/CAM DWG. NO.

238\_CD

SHEET 1 OF 1

★ STAR SYMBOL DENOTES CRITICAL DIMENSION, SEE S/C ENGINEERING STANDARD ES-0001

THIS DRAWING DESCRIBES A DESIGN CONSIDERED PROPRIETARY IN NATURE, DEVELOPED AND MANUFACTURED BY SWITCHCRAFT INC. AND IS RELEASED ON A CONFIDENTIAL BASIS FOR IDENTIFICATION PURPOSE ONLY.

UNLESS OTHERWISE SPECIFIED

SIZE	WIDTH	MULT	LBS./M	TEMPER
------	-------	------	--------	--------

- ALL DIMENSIONS IN INCHES  
TWO PLACE DECIMAL ±.01  
THREE PLACE DECIMAL ±.005  
FRACTIONAL DIMENSIONS ±1/64  
ANGLES ±1/2°  
ALL DIA'S CONCENTRIC WITHIN .005 T.I.R.
- REMOVE ALL BURRS
- MAKE NO DIMENSIONAL ALLOWANCES FOR APPLIED FINISHES, I.E., PLATING, PAINTING, ETC.
- HOLES ON THE SAME CENTERLINE MUST BE ALIGNED WITHIN ±.002

FINISH	MATERIAL
SPEC. NO.	SPEC. NO.

FIRST USED ON	SCALE
	1 = 0.5

**Switchcraft®**

DATE DRAWN	BY	CHK'D	APP'D
11-21-89	VL	VL 11-21-89	DL 11-21-89

NAME	PART NO.	ISSUE
3 COND. FLAT PLUG	238	G

G	REDRAWN ON CAD ECO #20827	5-17-96	DEA	JF
ISSUE	CHANGE NO.	DATE	BY	APP'D

REVISIONS

DO NOT SCALE DRAWING

