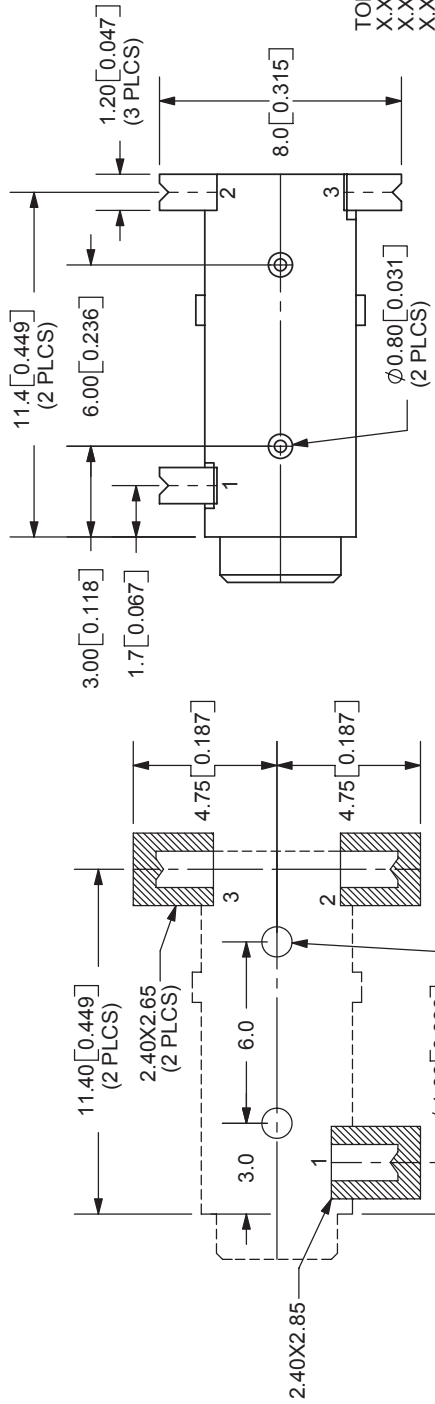
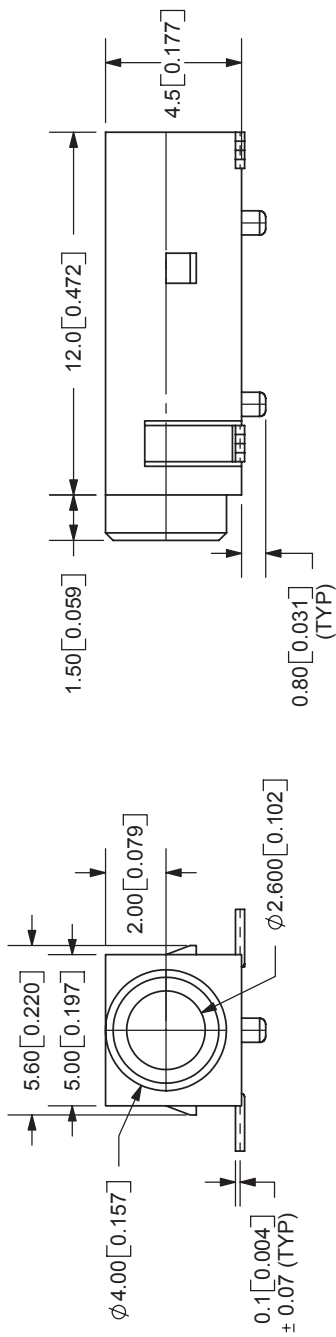
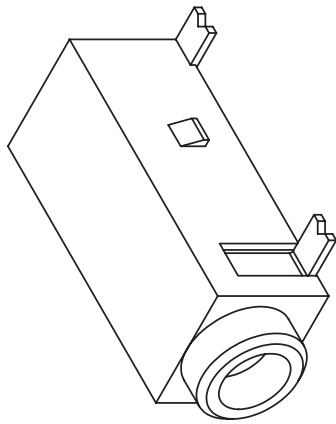


REV.	DESCRIPTION	DATE
A	NEW DRAWING	11/16/2005



PCB LAYOUT
TOP VIEW

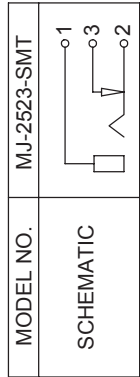


TOLERANCE:
X.X ±0.2mm
X.XX ±0.1mm
X.XXX ±0.05mm



9615 SW Allen Blvd., Ste. 103
Beaverton, OR 97005
Phone: 503-643-4899
800-275-4899
Fax: 503-372-1266
Website: www.cui.com

SPECIFICATIONS:
RATING: 12V DC @ 1A
CONTACT RESISTANCE: 30m OHMS MAX
INSULATION RESISTANCE: 50M OHMS MIN: 500V DC
VOLTAGE WITHSTAND: 500V AC R.M.S. FOR 1 MINUTE
LIFE: 5,000 CYCLES
OPERATING TEMP: -25° ~ +85°C



MODEL NO. MJ-2523-SMT

TITLE:	2.5mm SURFACE MOUNT AUDIO JACK-MONO	REV:	A
PART NO.	MJ-2523-SMT	UNITS:	MM [INCHES]
DRAWN BY:	ZRJ	APPROVED BY:	
		SCALE:	4:1

PC FILE NAME:
MJ-2523-SMT

COPYRIGHT 2005 BY CUI INC.