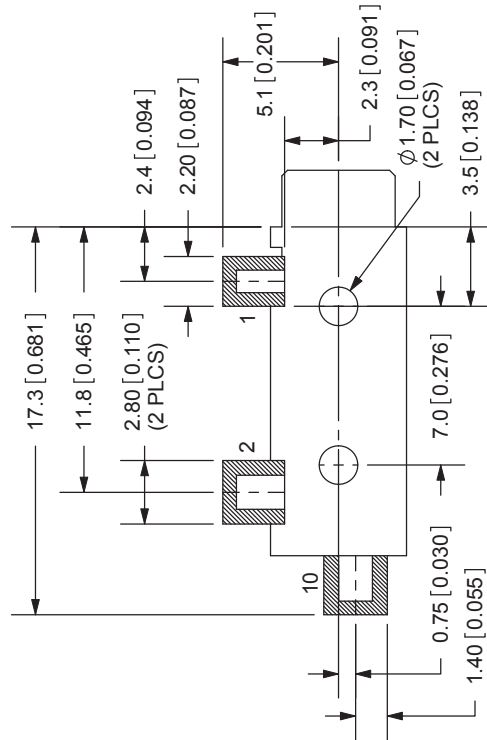
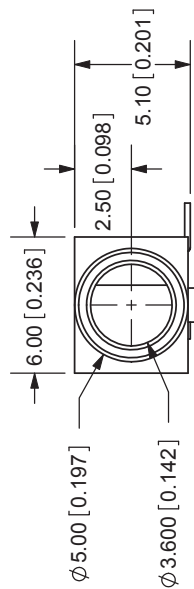
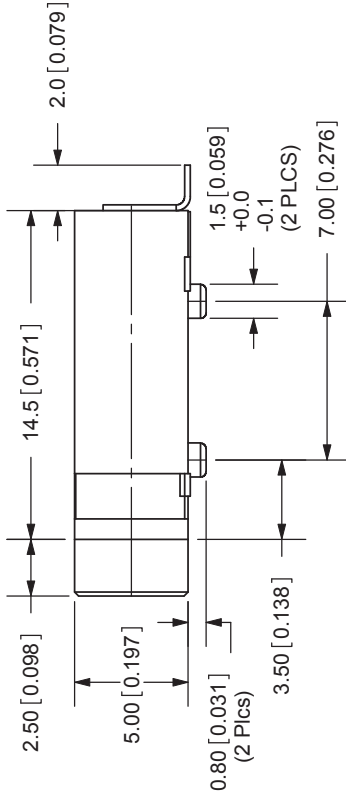
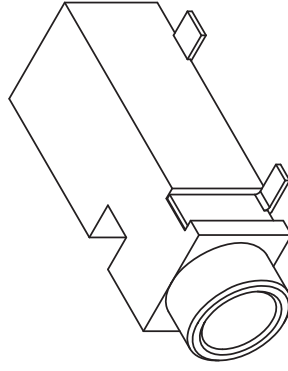
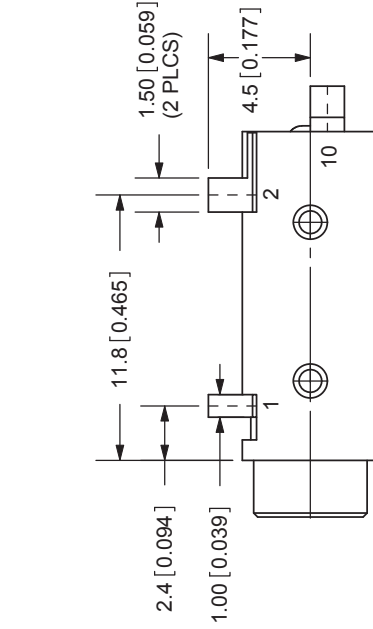


| REV. | DESCRIPTION                             | DATE      |
|------|---|-----------|
| A    | NEW DRAWING                             | 12/2/2005 |
| B    | Updated Plastic Mold                    | 12/18/07  |
| C    | corrected dimension from 2.15 to 1.40mm | 8/18/2009 |



PCB LAYOUT  
TOP VIEW



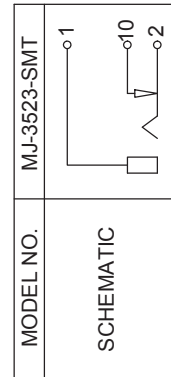
TOLERANCE:  
X.X ±0.2mm  
X.XX ±0.1mm  
X.XXX ±0.05mm



**CUI INC**

20050 SW 112th Ave.  
Tualatin, OR 97062  
Phone: 503-612-2300  
800-275-4899  
Fax: 503-612-2383  
Website: www.cui.com

**SPECIFICATIONS:**  
CONTACT RESISTANCE: 30m OHMS MAX  
INSULATION RESISTANCE: 50M OHMS MIN: 100V DC  
VOLTAGE WITHSTAND: 500V AC R.M.S. FOR 1 MINUTE  
LIFE: 5,000 CYCLES  
OPERATING TEMP: -25° ~ +85°C



| TERMINAL    | MATERIAL     | PLATING |
|-------------|--------------|---------|
| TERMINAL 1  | Copper Alloy | Silver  |
| TERMINAL 2  | Copper Alloy | Silver  |
| TERMINAL 3  | Copper Alloy | Silver  |
| TERMINAL 10 | Brass        | Silver  |
| HOUSING     | PA6T         |         |

|           |                                     |              |             |
|-----------|-------------------------------------|--------------|-------------|
| TITLE:    | 3.5mm SURFACE MOUNT AUDIO JACK-MONO | REV:         | B           |
| PART NO.  | MJ-3523-SMT                         | UNITS:       | MM [INCHES] |
| DRAWN BY: | ZRJ                                 | APPROVED BY: |             |
|           |                                     | SCALE:       | 3:1         |