

### SPECIFICATIONS

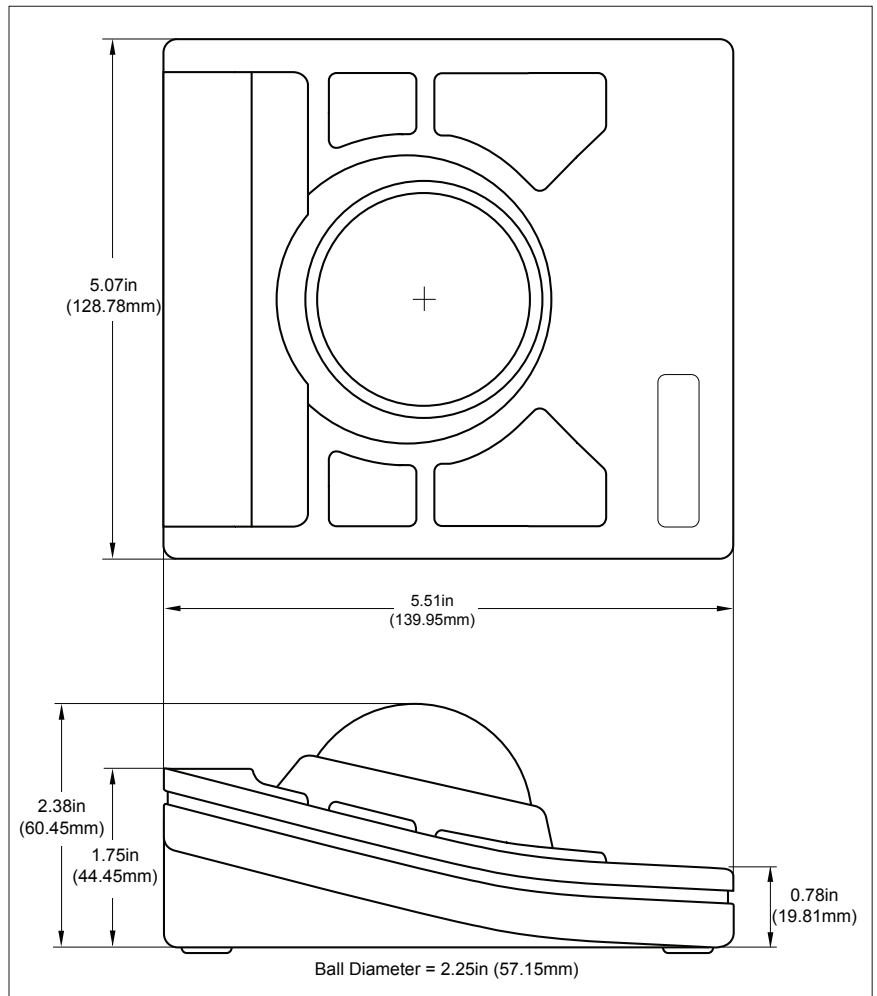
#### ELECTRICAL

PS/2  
 INPUT: 5V @ 25mA max  
 OUTPUT: CMOS/TTL

#### MECHANICAL

BALL DIAMETER: 2.25"  
 BALL ROTATION: Continuous  
 TRACKING FORCE: 12g  
 WEIGHT: 460g  
 LIFE CYCLE (BALL ROTATIONS): 5 Million

**RoHS compliant**



P/N	<b>DT2253X20V00</b>	REV	<b>A</b>
DESCRIPTION	DT225 Gray Desktop Trackball, PS/2		
PROPRIETARY AND CONFIDENTIAL THE INFORMATION CONTAINED IN THIS DRAWING IS THE SOLE PROPERTY OF CH PRODUCTS. ANY REPRODUCTION IN PART OR AS WHOLE WITHOUT THE WRITTEN PERMISSION OF CH PRODUCTS IS PROHIBITED.			