

SPECIFICATIONS

ELECTRICAL

USB
 INPUT: 5V @ 25mA max
 OUTPUT: USB 1.1

MECHANICAL

BALL DIAMETER: 1"
 BALL ROTATION: Continuous
 BALL COLOR: Black
 TRACKING FORCE: 15g
 WEIGHT: 33.5g
 LIFE CYCLE (BALL ROTATIONS): 5 Million

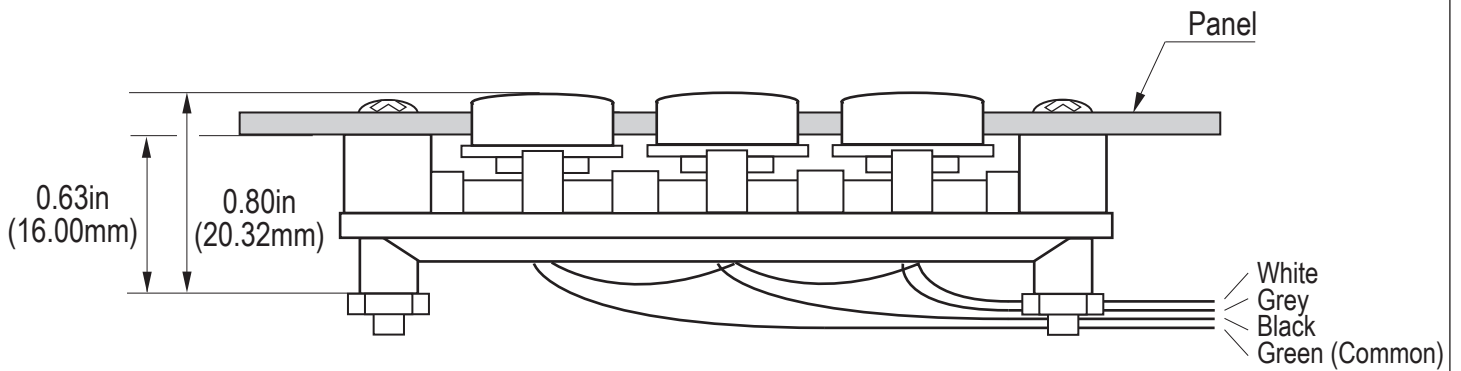
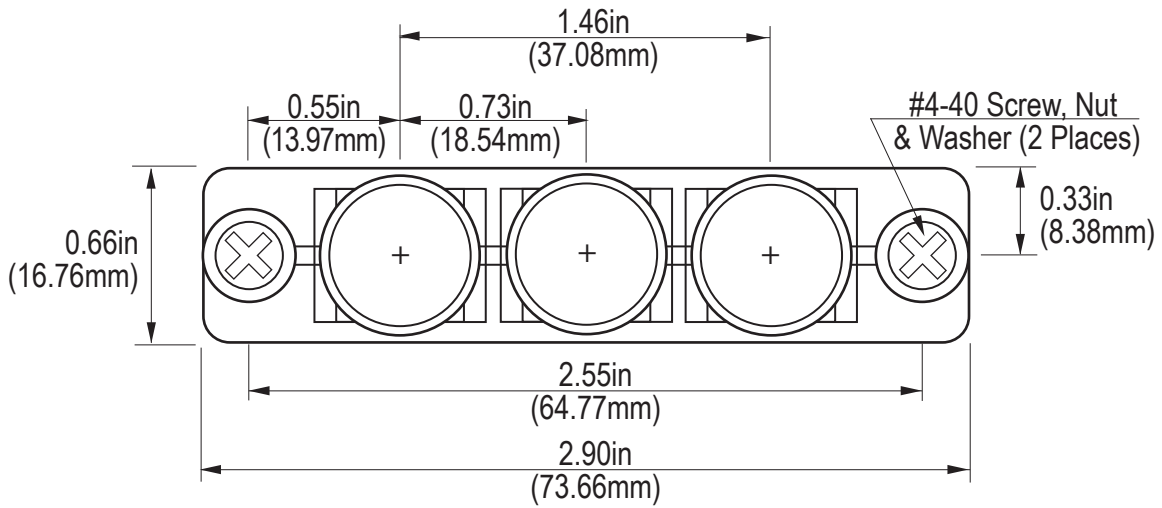
RoHS compliant

3-BUTTON STRIP (CH P/N: 100-133BX)

3-BUTTON STRIP RATING:
 5 Million operations @ 500mA @ 12VDC


CH
 Products

P/N	LP1007EXXH00	REV	A
DESCRIPTION	LP100 - 1.00" USB Trackball		
PROPRIETARY AND CONFIDENTIAL THE INFORMATION CONTAINED IN THIS DRAWING IS THE SOLE PROPERTY OF CH PRODUCTS. ANY REPRODUCTION IN PART OR AS WHOLE WITHOUT THE WRITTEN PERMISSION OF CH PRODUCTS IS PROHIBITED.			



SPECIFICATIONS

- Tactile feedback
- Normally open momentary contact switch
- 5 million lifecycle rating at 500mA at 12VDC
- Black, convex button caps
- RoHS compliant

	P/N	100-133BX	REV A
	DESCRIPTION	3-Button Strip	
	<small>PROPRIETARY AND CONFIDENTIAL THE INFORMATION CONTAINED IN THIS DRAWING IS THE SOLE PROPERTY OF CH PRODUCTS. ANY REPRODUCTION IN PART OR AS WHOLE WITHOUT THE WRITTEN PERMISSION OF CH PRODUCTS IS PROHIBITED.</small>		