

SPECIFICATIONS

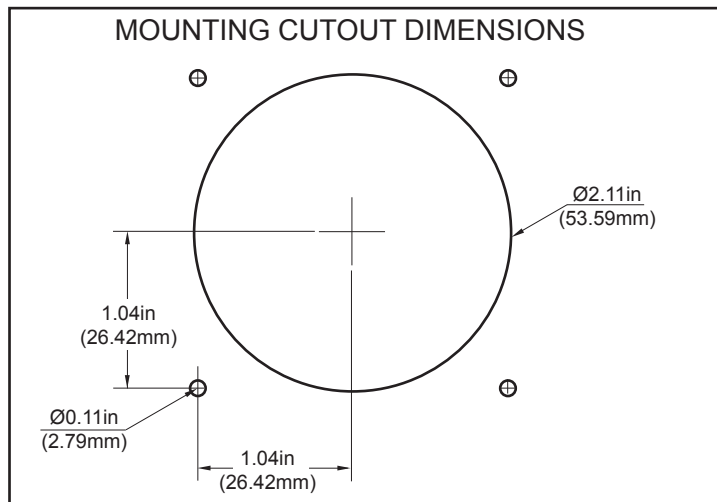
ELECTRICAL

USB
 INPUT: 5V @ 25mA max
 OUTPUT: USB 1.1

MECHANICAL

BALL DIAMETER: 1.5"
 BALL ROTATION: Continuous
 BALL COLOR: Black
 TRACKING FORCE: 15g
 WEIGHT: 33.5g
 LIFE CYCLE (BALL ROTATIONS): 5 Million

RoHS compliant



CH
 Products

P/N **R1507F20V00** REV **A**
 DESCRIPTION
R150-1.5" USB Trackball with Removable Bezel
 PROPRIETARY AND CONFIDENTIAL
 THE INFORMATION CONTAINED IN THIS DRAWING IS THE SOLE PROPERTY OF CH PRODUCTS. ANY REPRODUCTION IN PART OR AS WHOLE WITHOUT THE WRITTEN PERMISSION OF CH PRODUCTS IS PROHIBITED.