

SPECIFICATIONS

ELECTRICAL

PS/2

INPUT: 5V @ 25mA max

OUTPUT: CMOS/TTL

MECHANICAL

BALL DIAMETER: 1"

BALL ROTATION: Continuous

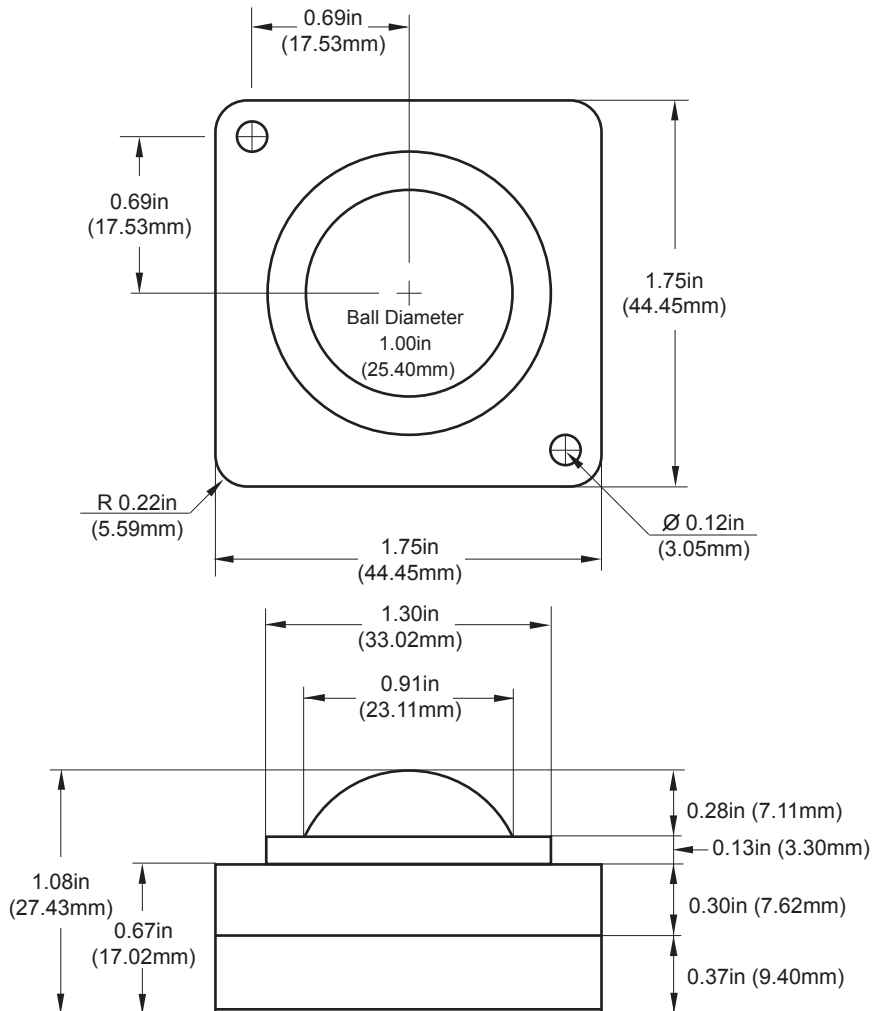
BALL COLOR: Black

TRACKING FORCE: 15g

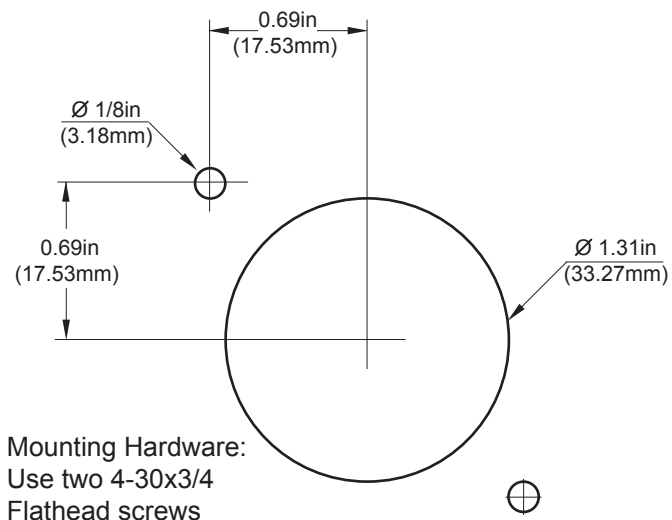
WEIGHT: 33.5g

LIFE CYCLE (BALL ROTATIONS): 5 Million

RoHS compliant



MOUNTING CUTOUT DIMENSIONS



CH
Products

P/N

LP1003EXXH00

REV
A

DESCRIPTION

LP100 - 1.00" PS/2 Trackball

PROPRIETARY AND CONFIDENTIAL

THE INFORMATION CONTAINED IN THIS DRAWING IS THE SOLE PROPERTY OF CH PRODUCTS. ANY REPRODUCTION IN PART OR AS WHOLE WITHOUT THE WRITTEN PERMISSION OF CH PRODUCTS IS PROHIBITED.