

4

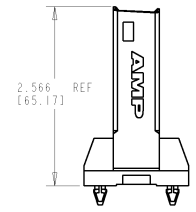
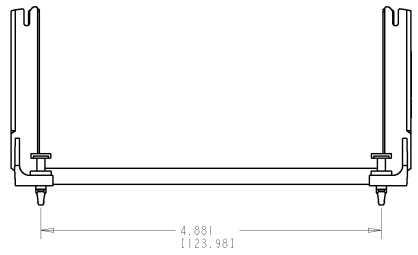
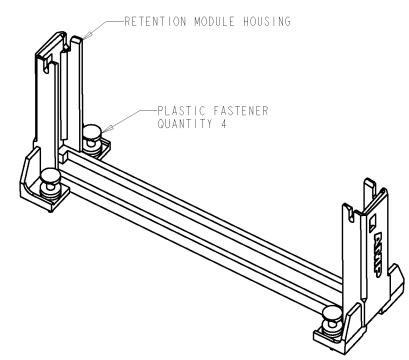
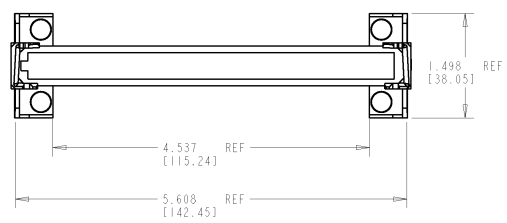
3

2

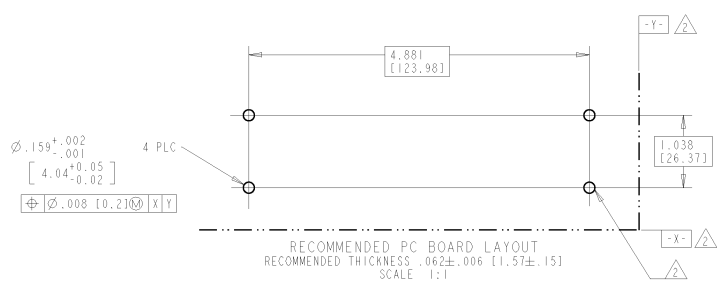
1

THIS DRAWING IS UNPUBLISHED
 (C) COPYRIGHT ©
 RELEASED FOR PUBLICATION
 BY AMP INCORPORATED ALL RIGHTS RESERVED

REV	DATE	BY	APPROV	DESCRIPTION
0	12/04/98	AV	VR	RELEASED
A	31/JUL/98	AV	VR	REVISED PER EC 0651-0117-98



△ HOUSING MATERIAL: UL 94V0 RATED POLYCARBONATE, COLOR: BLACK.
 △ BOARDLOCK MATERIAL: NYLON.
 △ DATUMS AND HOLE DIAMETER TO BE DETERMINED BY CUSTOMER.



RETENTION MODULE W/ PLASTIC FASTENERS	145327-1
DESCRIPTION	PART NO.

<small>THIS DRAWING IS UNPUBLISHED UNLESS INDICATED OTHERWISE ALL DIMENSIONS ARE UNLESS OTHERWISE SPECIFIED AND UNLESS OTHERWISE INDICATED DIMENSIONS SHOULD BE OBTAINED FOR THE LATEST REVISION</small>		DWG NO. 27FEB98 DR. BROWN CDR. VASILINDER APP. 27FEB98 DIMENSIONS: INCHES (mm) DECIMALS (FRACTIONS) 0 PLC ±.01 1 PLC ±.02 2 PLC ±.03 3 PLC ±.04 4 PLC ±.05 ANGLES ±.1 FINISH -	27FEB98 AMP Incorporated Harrisburg, PA 17105-3400 AMP INTEGRATED RETENTION MODULE W/ PLASTIC FASTENERS STYL. FILE 108-1826 APPLICATION SPEC - WEIGHT - CUSTOMER DRAWING	SHEET 1 CASE CODE A2 DRAWING NO. 100779 SCALE C=145327 RESTRICTED TO REV A
---	--	--	--	--