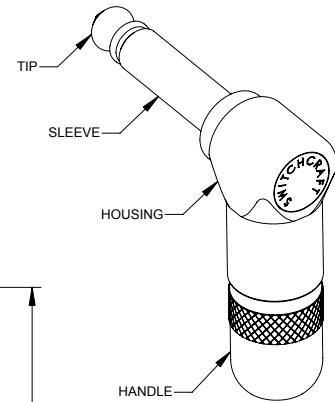
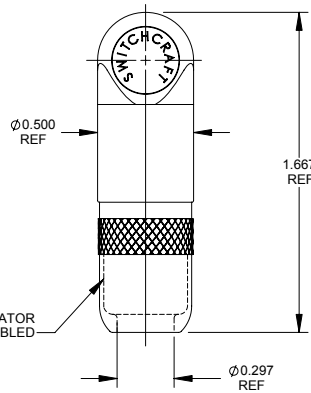


VIEW WITHOUT HANDLE AND INSULATOR

HANDLE AND INSULATOR SHIPPED UNASSEMBLED



SPECIFICATIONS:

- MATERIAL**  
 - TIP ROD AND HANDLE - BRASS, NICKEL PLATED  
 - HOUSING AND SLEEVE - ZINC DIE CAST, COPPER AND NICKEL PLATED  
 - TIP TERMINAL - BRASS, TIN PLATED  
 - SLEEVE (CLAMP) TERMINAL - STEEL, TIN PLATED  
 - INSULATION - THERMOPLASTIC

- ELECTRICAL**  
 - DIELECTRIC WITHSTANDING VOLTAGE : 500 VAC  
 - INSULATION RESISTANCE: 50,000 MEGOHMS MINIMUM (INITIAL)
- OPERATING TEMPERATURE**  
 - 20°C TO +65°C

- MATING JACK**  
 - TYP, 1/4 INCH, COMMERCIAL TYPE, 2 CONDUCTOR PHONE JACK

THIS PRODUCT IS ROHS COMPLIANT

CUSTOMER DRAWING

REV	ECO NUMBER	DATE	BY	APVD
F	25760	12-5-07	TJK	TJK
E	CAD REDRAW 25124	10-28-05	JL	GG
REVISIONS				

UNLESS OTHERWISE SPECIFIED					THIS DRAWING DESCRIBES A DESIGN CONSIDERED PROPRIETARY IN NATURE, DEVELOPED AND MANUFACTURED BY SWITCHCRAFT INC. AND IS RELEASED ON A CONFIDENTIAL BASIS FOR IDENTIFICATION PURPOSES ONLY.					
1. ALL DIMENSIONS IN INCHES - TWO PLACE DECIMALS ±0.02 - THREE PLACE DECIMALS ±0.005					SIZE	WIDTH	MULT	LBS/M	TEMPER	
					FINISH					MATERIAL
DO NOT SCALE DRAWING					FIRST USED ON				SCALE	SPEC No.
					DATE DRAWN				BY	CHKD
					10-28-05	JL	GG	GG	GG	
					NAME				PART No.	REV
					RA PHONE PLUG, 2 CONDUCTOR, RoHS				226	F



SolidWorks CAD File