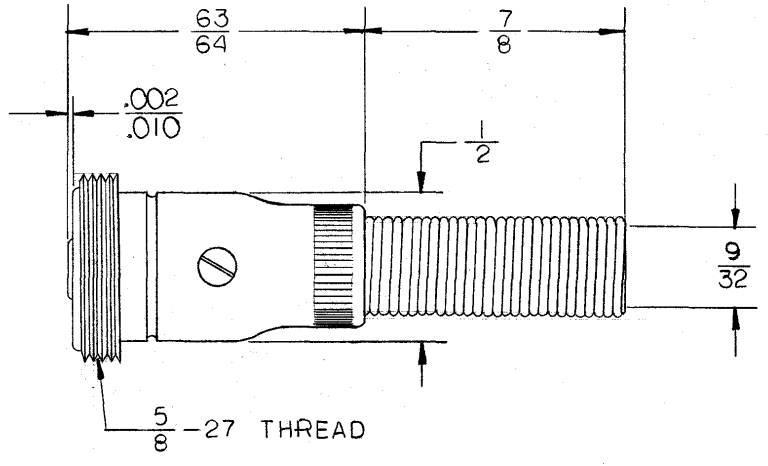
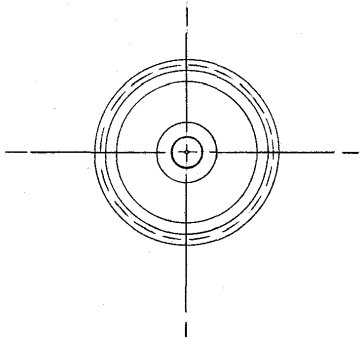


MATERIALS

- 1-BODY- BRASS - BRIGHT NI- PLATE.
- 2-INSULATOR-PAPER BASE PHENOLIC.
- 3-CORD PROTECTOR SLEEVE - MUSIC WIRE - TINNED.
- 4-EYELET- BRASS -HOT TINNED.
- 5-SET SCREW-STEEL -NI.- PLATE.



★ STAR SYMBOL DENOTES CRITICAL DIMENSION, SEE S/C ENGINEERING STANDARD ES-0001.		SIZE	WIDTH	MULT.	LBS. PER M	TEMPER
THIS DRAWING DESCRIBES A DESIGN CONSIDERED PROPRIETARY IN NATURE, DEVELOPED AND MANUFACTURED BY SWITCHCRAFT, INC., AND IS RELEASED ON A CONFIDENTIAL BASIS FOR IDENTIFICATION PURPOSE ONLY.						
UNLESS OTHERWISE SPECIFIED:			DRAWN BY H C J	DATE 12-29-75	FINISH	
1 - DECIMAL DIMENSIONS ± .005 2 - FRACTIONAL DIMENSIONS ± 1/64 3 - ANGLES ± 1/2° 4 - ALL DIA'S CONCENTRIC WITHIN .005 T.I.R. 5 - ALL DIMENSIONS IN INCHES 6 - FOR THREADS USE UNIFIED PLUG AND RING GAGES ONLY. 7 - REMOVE ALL BURRS. 8 - PART TO BE FABRICATED AS SPECIFIED. MAKE NO DIMENSIONAL ALLOWANCES FOR APPLIED FINISHES, I.E., PLATING, PAINTING, ETC. 9 - HOLES ON SAME CENTERLINE MUST BE ALIGNED WITHIN ± .002			CHECKED BY <i>W.H.</i>	DATE 12-31-75	PER FINISH SPEC. NO. _____	
			APPROVED BY	DATE	MATERIAL	
DO NOT SCALE DRAWING			SCALE (2X)	FIRST USED ON	SWITCHCRAFT	
			NAME SINGLE CONTACT MICROPHONE CONNECTOR MALE TYPE			
SHEET _____ OF _____			ROUTING (12) (16)			

ISS. SYM.	REVISION	BY	DATE
A	REDRAWN ECO 16414	VJ	1-22-91

PAXTON