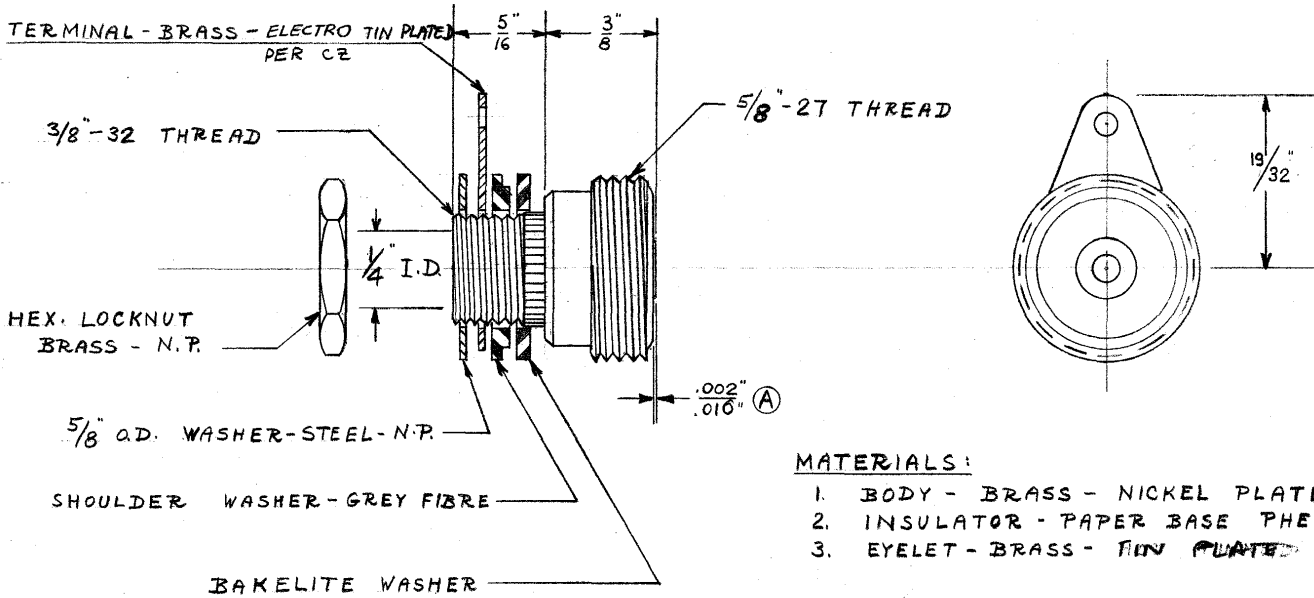


MAX. PLATING .0003"

PART NO.

2501 MP



**MATERIALS:**

1. BODY - BRASS - NICKEL PLATE
2. INSULATOR - PAPER BASE PHENOLIC
3. EYELET - BRASS - TIN PLATED

**REVISIONS**

2	(A) DIM. ADDED	12-18-53
A	ELECTRO TIN PLATED PER C2 WAS NOT TINNED	E.B. 11-9-48 ECO 14667

SIZE

WIDTH

MULT.

LBS. PER M

USED ON	REQ.	NAME	DRAWN BY	DATE
		SINGLE CONTACT	L.D.	8-11-52
		PANEL CONNECTOR	CHECKED	APPROVED
		MALE TYPE	<i>[Signature]</i>	
FINISH		MATERIAL	SOURCE	SCALE
				2:1
DECIMAL DIMENSIONS ± .005"		REMOVE ALL BURRS		ISSUE
FRACTIONAL DIMENSIONS ± 1/64"		DO NOT SCALE DRAWING		A
SWITCHCRAFT, INC.			PART NO.	
1328 N. HALSTED ST.			2501 MP	
CHICAGO 22, ILLINOIS				