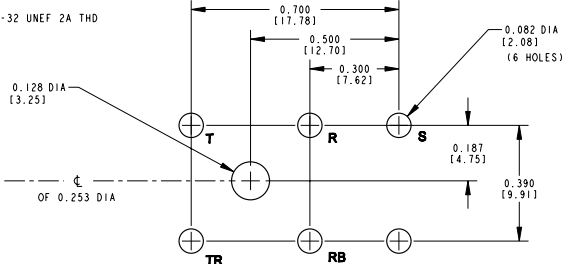
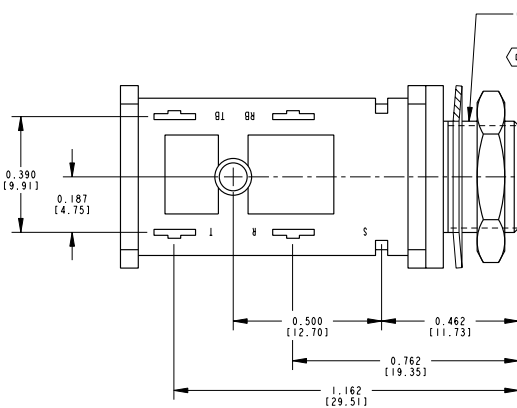


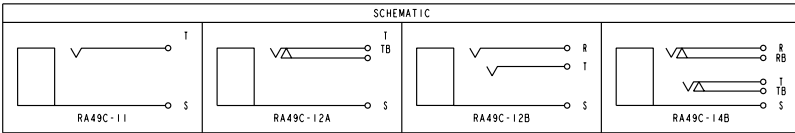
**MATERIAL SPECIFICATIONS**  
 HOUSING: BLACK THERMOPLASTIC  
 POLYESTER, 94V0  
 CONTACT SPRINGS: TIN PLATED  
 SPRING TEMP. NICKEL SILVER.  
 HARDWARE: NICKEL PLATED BRASS.  
 METAL BUSHING: NICKEL PLATED BRASS  
 SLEEVE SPRING: TINNED PHOS. BRONZE.



PCB HOLE PATTERN  
COMPONENT SIDE

CUSTOMER DRAWING

CAD/CAM DWG. NO.  
s.ra49c.cd  
SHEET 1 OF 1



REVISIONS				STAR SYMBOL DENOTES CRITICAL DIMENSION - SEE S.P.C. ENGINEERING STANDARD ES-0009				THIS DRAWING DESCRIBES A DESIGN CONSIDERED PROPRIETARY IN NATURE, DEVELOPED AND MANUFACTURED BY SWITCHCRAFT, INC. AND IS RELEASED ON A CONFIDENTIAL BASIS FOR IDENTIFICATION PURPOSE ONLY.					
REV	DATE	BY	APP'D	SIZE	WIDTH	MULT	MATERIAL	TEMPER	FINISH	DATE	BY	CHK'D	APP'D
UNLESS OTHERWISE SPECIFIED				SCALE				SPEC. NO.					
1. ALL DIMENSIONS IN INCHES				1 : 0.25				MATERIAL					
2. DECIMAL DIMENSIONS ± .005				DATE DRAWN				SPEC. NO.					
3. FRACTIONAL DIMENSIONS 8/64				4-15-88				4-15-88					
4. ANGLES 45°				BY				5-1-89					
5. ALL DIA'S CONCENTRIC WITHIN .005 T.I.P.				R/D				5-2-89					
6. REMOVE ALL BURRS				NAME				JACK ASSEMBLY (METAL BUSHING)					
7. MAKE NO DIMENSIONAL ALLOWANCES FOR PAINTING, ETC.				PART NO.				RA49C-SER					
8. HOLES ON THE SAME CENTERLINE MUST BE ALIGNED WITHIN ±.002				ISSUE				1					

ROUTING

Switchcraft®