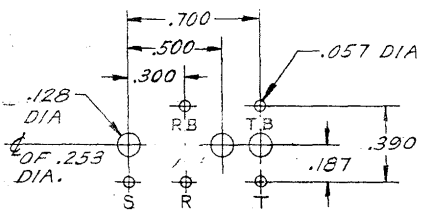


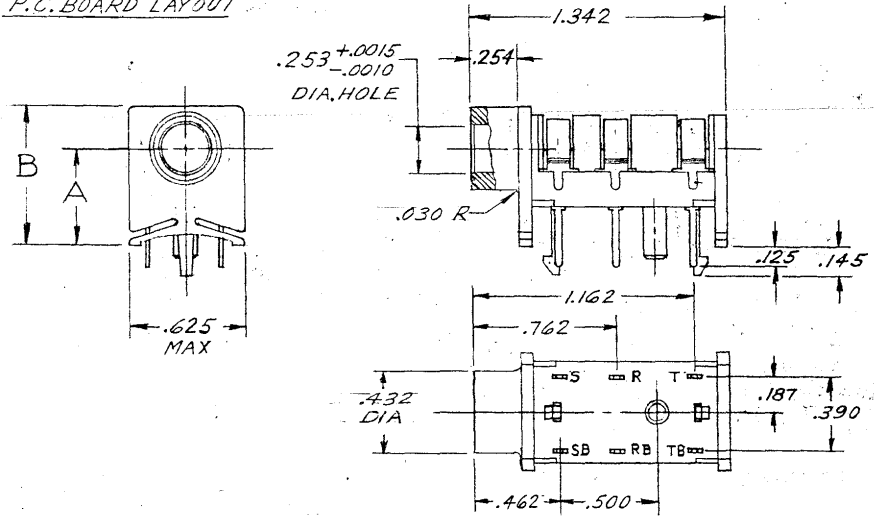
SN49A-***1

ISS	ZONE	SYM	REVISION	BY	DATE
A			ECO 16474	VL	8-9
B			ECO#20627	KS	8-74

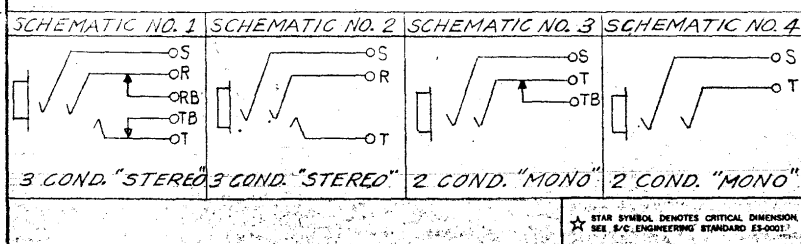


P.C. BOARD LAYOUT

MATERIAL SPECIFICATIONS:
 HOUSING: BLACK THERMOPLASTIC POLYESTER
 SPRINGS: NICKEL SILVER WITH TIN COATED TERMINALS.



PART NO.	DIM. A	DIM. B	SCHEM. NO.	PART REV.
SN49A-12B	.492	.708	1	D
SN49A-12B	↑	↑	2	D
SN49A-12A	↑	↑	3	D
SN49A-11	.492	.708	4	D



★ STAR SYMBOL DENOTES CRITICAL DIMENSION SEE S/C ENGINEERING STANDARD ES-0001

THIS DRAWING DESCRIBES A DESIGN CONSIDERED PROPRIETARY IN NATURE, DEVELOPED AND MANUFACTURED BY SWITCHCRAFT, INC. AND IS RELEASED ON A CONFIDENTIAL BASIS FOR IDENTIFICATION PURPOSE ONLY.

UNLESS OTHERWISE SPECIFIED:

- DECIMAL DIMENSIONS ± .008
- FRACTIONAL DIMENSIONS ± 1/64
- ANGLES ± 1/2°
- ALL DIA'S CONCENTRIC WITHIN .008 T.I.R.
- ALL DIMENSIONS IN INCHES
- FOR THREADS USE UNIFIED PLUG AND RING GAGES ONLY
- REMOVE ALL BURRS
- PART TO BE FABRICATED AS SPECIFIED MAKE NO DIMENSIONAL ALLOWANCES FOR APPLIED FINISHES, I.E. PLATING, PAINTING, ETC.
- HOLE ON SAME CENTERLINE MUST BE ALIGNED WITHIN ± .005

DO NOT SCALE DRAWING

DRAWN BY	DATE	FINISH
VL	8-17-84	
CHECKED BY	DATE	PER FINISH SPEC. NO.
VL	8-17-84	
APPROVED BY	DATE	MATERIAL
KR	8-17-84	
SCALE	2X	PER MAT. SPEC. NO.
FIRST USED ON		

SWITCHCRAFT

NAME: PHONE JACK
 INSULATED BUSHING

PART NO. SN49A-***
 SHEET 1 OF 1

ISSUE B

ROUTING: (1) (2) (4)