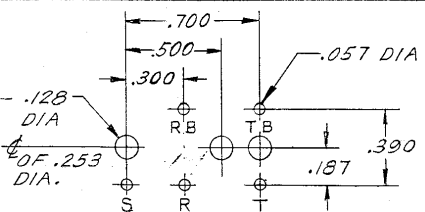


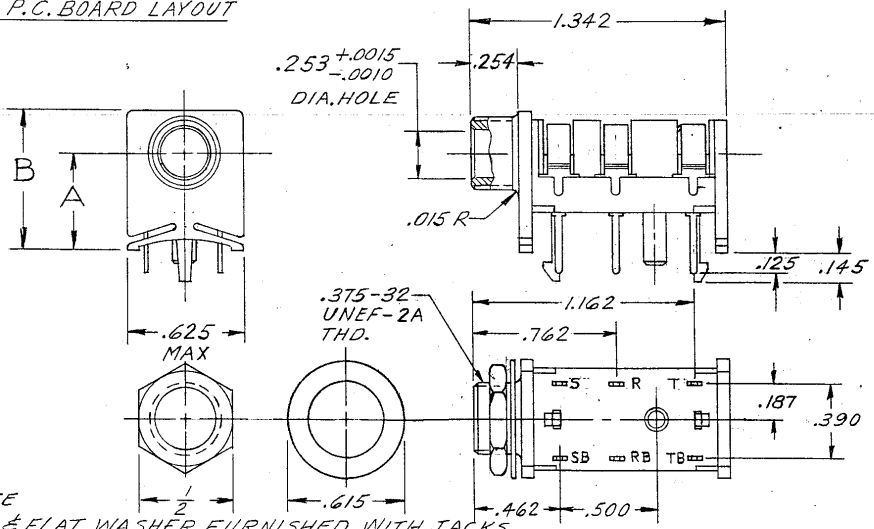
SN49B-***

ISS	ZONE	SYM	REVISION	BY	DATE
B			ECO 16474	VL	7-15-83
C			ECO*20627	KS	3-14-86



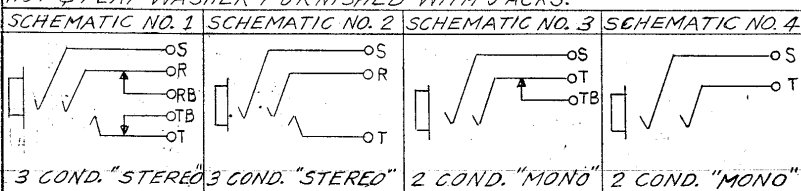
P.C. BOARD LAYOUT

MATERIAL SPECIFICATIONS:
 HOUSING: BLACK THERMOPLASTIC POLYESTER
 SPRINGS: NICKEL SILVER WITH TIN COATED TERMINALS
 HARDWARE: NICKEL PLATED BRASS.



PART NO.	DIM. A	DIM. B	SCHEM. NO.	PART REV.
SN49B-14B	.492	.708	1	C
SN49B-12B	↑	↑	2	C
SN49B-12A	↓	↓	3	C
SN49B-11	.492	.708	4	C

NOTE
 NUT & FLAT WASHER FURNISHED WITH JACKS.



3 COND. "STEREO" 3 COND. "STEREO" 2 COND. "MONO" 2 COND. "MONO"

THIS DRAWING DESCRIBES A DESIGN CONSIDERED PROPRIETARY IN NATURE, DEVELOPED AND MANUFACTURED BY SWITCHCRAFT, INC. AND IS RELEASED ON A CONFIDENTIAL BASIS FOR IDENTIFICATION PURPOSE ONLY.

UNLESS OTHERWISE SPECIFIED:

DRAWN BY V.L.	DATE 6-28-83	FINISH
CHECKED BY V.L.	DATE 7-15-83	PER FINISH SPEC. NO.
APPROVED BY KR	DATE 7-18-83	MATERIAL
SCALE 2X	FIRST USED ON	PER MAT. SPEC. NO.

1. DECIMAL DIMENSIONS ± .005
 2. FRACTIONAL DIMENSIONS ± 1/64
 3. ANGLES ± 1/2°
 4. ALL DIA'S CONCENTRIC WITHIN .005 T.I.R.
 5. ALL DIMENSIONS IN INCHES
 6. FOR THREADS USE UNIFIED PLUG AND RING GAGES ONLY.
 7. REMOVE ALL BURRS
 8. PART TO BE FABRICATED AS SPECIFIED. MAKE NO DIMENSIONAL ALLOWANCES FOR APPLIED FINISHES, I.E. PLATING, PAINTING, ETC.
 9. HOLES ON SAME CENTERLINE MUST BE ALIGNED WITHIN ± .002

STAR SYMBOL DENOTES CRITICAL DIMENSION. SEE S/C ENGINEERING STANDARD ES-0001.

DO NOT SCALE DRAWING

NAME
PHONE JACK...
INSULATED BUSHING

PART NO.
SN 49B-***

ISSUE
C

SWITCHCRAFT INC.
A Product Division

ROUTING (2) (25) (46)

PARTON