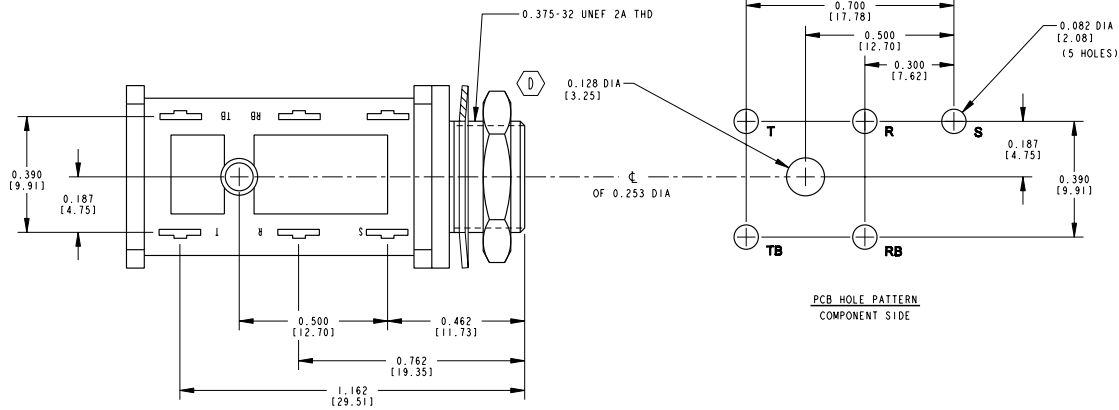


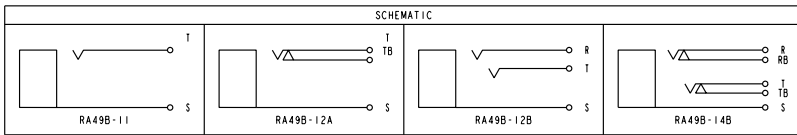
MATERIAL SPECIFICATIONS
 HOUSING: BLACK THERMOPLASTIC
 POLYESTER, 94V0
 CONTACT SPRINGS: TIN PLATED
 SPRING TEMP. NICKEL SILVER.
 HARDWARE: NICKEL PLATED BRASS.



PCB HOLE PATTERN
 COMPONENT SIDE

CUSTOMER DRAWING

CAD/CAM DWG. NO.
 s.ra49b.cd
 SHEET 1 OF 1



REVISIONS				STAR SYMBOL DENOTES CRITICAL DIMENSION - SEE S.P.C. ENGINEERING STANDARD ES-0009				THIS DRAWING DESCRIBES A DESIGN CONSIDERED PROPRIETARY IN NATURE, DEVELOPED AND MANUFACTURED BY SWITCHCRAFT, INC. AND IS RELEASED ON A CONFIDENTIAL BASIS FOR IDENTIFICATION PURPOSE ONLY.					
REV	DATE	BY	APP'D	FINISH	WIDTH	MULT	MATERIAL	DATE DRAWN	BY	CWD	APP'D	SCALE	SPEC. NO.
E	ECO #19704	3-24-95	RC	GNJ				3-11-88	RLD	VL	AS	1 : 0.25	
D	ECO#15763	2-16-90	LR	VL				5-1-89	RLD	VL	AS		
C	ECO 15105	10-11-89	TM	VL				5-2-89					
B	RELEASED TO PROD	4-21-89	RLD	AS									
BA	PRELIM CUST DWG	3-11-88	RLD										
ISSUE	CHANGE NO.	DATE	BY	APP'D	UNLESS OTHERWISE SPECIFIED				NAME: JACK ASSY (INSULATED BUSHING)				
				1. ALL DIMENSIONS IN INCHES				PART NO. RA49B-SER 1					
				2. DECIMAL DIMENSIONS = .001				ISSUE 1					
				3. FRACTIONAL DIMENSIONS = 1/64				ROUTING					
				4. ANGLES = 45°									
				5. ALL DIA'S CONCENTRIC WITHIN .005 T.I.P.									
				6. REMOVE ALL BURRS									
				7. MAKE NO DIMENSIONAL ALLOWANCES FOR PAINTING, ETC.									
				8. HOLES ON THE SAME CENTERLINE MUST BE ALIGNED WITHIN ±.002									

Switchcraft®

ROUTING