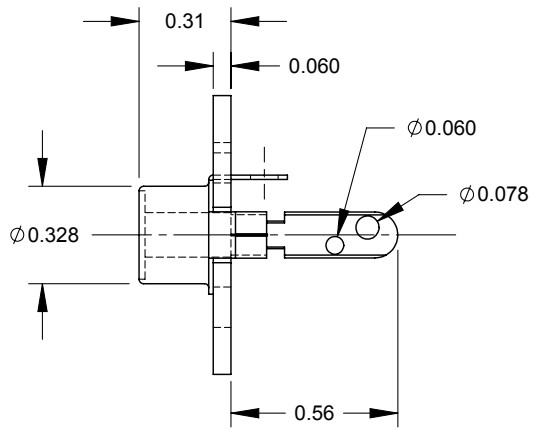
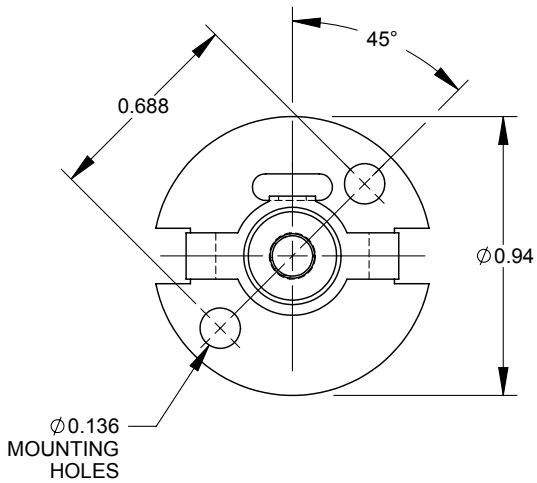


- NOTES:
1. ALL DIMENSIONS FOR REFERENCE PURPOSES ONLY.
 2. MATERIALS:
 BASE - PHENOLIC MOUNTING WASHER
 TERMINAL - BRASS, TIN PLATED
 SPACER - POLYPROPYLENE
 SLEEVE CLAMP - STEEL, TIN PLATED
 3. THIS PRODUCT IS RoHS COMPLIANT.



CUSTOMER DRAWING

					THIS DRAWING DESCRIBES A DESIGN CONSIDERED PROPRIETARY IN NATURE, DEVELOPED AND MANUFACTURED BY SWITCHCRAFT INC. AND IS RELEASED ON A CONFIDENTIAL BASIS FOR IDENTIFICATION PURPOSES ONLY.				
UNLESS OTHERWISE SPECIFIED					SIZE	WIDTH	MULT	LBS/M	TEMPER
1. ALL DIMENSIONS IN INCHES					FINISH			MATERIAL	
- TWO PLACE DECIMALS ±0.02					SPEC No.			SPEC No.	
- THREE PLACE DECIMALS ±0.005					FIRST USED ON		SCALE 2:1		
A	26022	3/8/06	RS	TJK	DATE DRAWN	BY	CHKD	APVD	Switchcraft®
REV	ECO NUMBER	DATE	BY	APVD	7/23/08	RS	RS	TJK	
REVISIONS					NAME			PART No.	
DO NOT SCALE DRAWING					TWO CONDUCTOR PHONO JACK, RoHS			3501FX	
								SHEET 1 OF 1	
								REV A	

SolidWorks CAD File