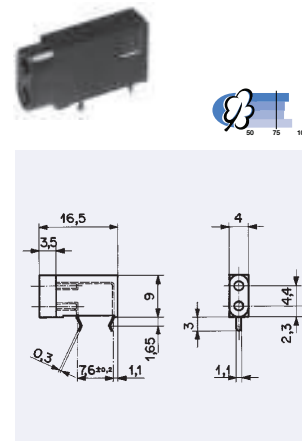
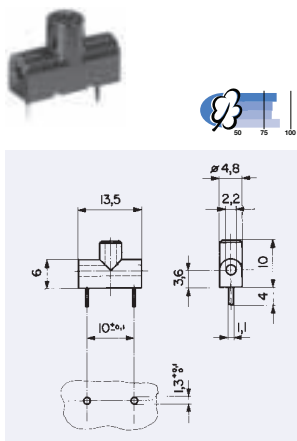


# TEST JACKS, TEST PROBES

Ø 2 mm

## PCB mounting



### Contact system



### Rated current

6,3 A

### Contact resistance

< 7 mΩ

< 7 mΩ

at 20 mV

Insulation resistance, 1 min.  
contact to contact

> 10<sup>4</sup> MΩ

### Contact/mounting plate

> 10<sup>4</sup> MΩ

> 10<sup>4</sup> MΩ

Dielectric strength,  
50 Hz, 1 min.  
contact to contact

> 2 kV

### Contact/mounting plate

> 1 kV

> 2 kV

### Temperature at no current

-25 °C up to +100 °C

### at rated current

-25 °C up to +70 °C

### Solderability

2 sec., 235 °C IEC 68-2-20 test Ta, test method 1

### Resistance to soldering heat

5 sec., 260 °C IEC 68-2-20 test Tb, test method 1 A

Surface of contacts  
(average thickness)

0,5 µm Au

2,0 µm Au

Tin-plated contacts  
on request

### Type / Typ

PB

Order No.  
Color

0040.1021	black
0040.1022	red
0040.1024	blue

PB

0040.1151	black
0040.1152	red