

Model 72918
4mm Banana Plug with Threaded M3 Stud



Fast Installation, Rugged Performance

Features

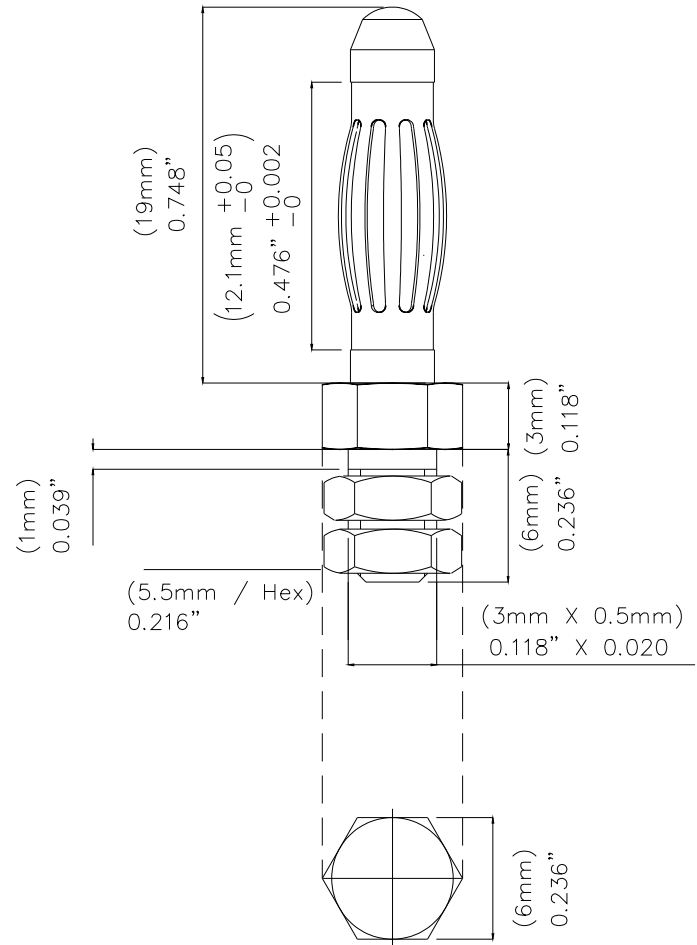
- Threaded M3 stud for rapid mounting.
- Furnished with two hex nuts.
- Ideal for lug or ring type connections.
- Mates to standard 4mm banana jack.

Materials

- Body is nickel-pated brass with tarnish resistant nickel finish.

Ordering Information

Model: 72918



Model 72918

Specifications

Voltage Rating (Hands free in controlled voltage environment)	5,000 Vdc
Not intended for hand held use at voltages above:	33 Vrms, 70 V dc
Current carrying capacity	36 A

USA: Sales: 800-490-2361 Fax: 888-403-3360
Europe: 31-(0) 40 2675 150 **International:** 425-446-5500
e-mail: technicalsupport@pomonatest.com
Where to Buy: www.pomonaelectronics.com

All dimensions are in inches. Tolerances (except noted): .xx = ±.02" (.51 mm), .xxx = ±.005" (.127 mm). All specifications are to the latest revisions. Specifications are subject to change without notice. Registered trademarks are the property of their respective companies.