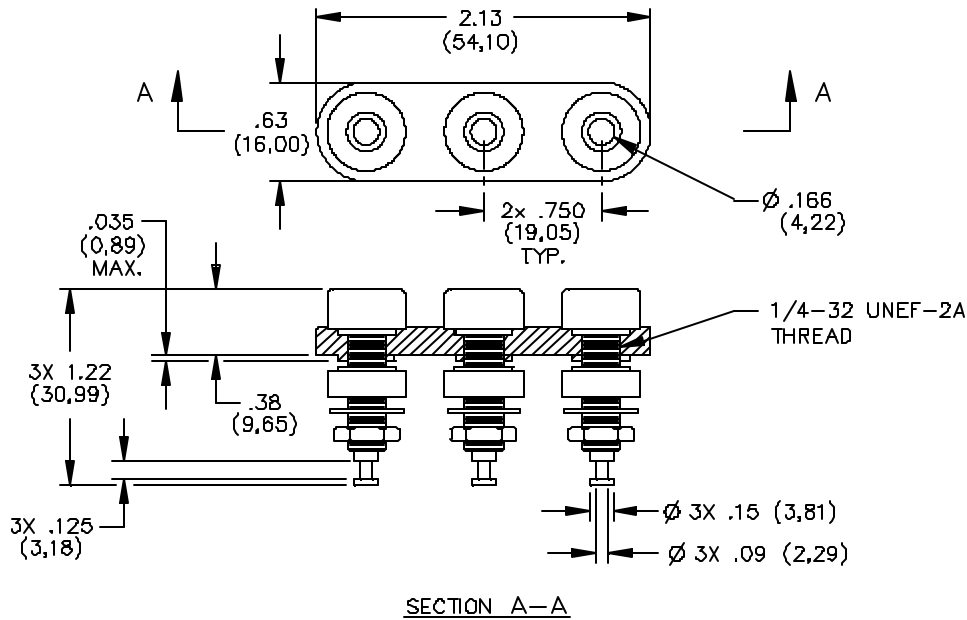


## Model 4601 Triple Banana Jack, Insulated



### FEATURES:

- Closed entry receptacle, 4.2 (.166) dia. x 23.4 (.920) deep.
- Mounts in panels from 1.6 (.063) to 9.5 (.375) thick.
- Nickel plated lock washer and 1/4-32 hex nut.
- Mates to Model #2970.
- Ideal for connection to power supplies with positive, negative and return connections.

### MATERIALS:

Banana jack insulation: Polycarbonate molded to banana jack bodies.

Color: One Red, one Black, and one Green.

Mounting Plate: Polycarbonate.

Color: See ordering instructions.

Insulator: Polycarbonate. Color matches color of banana jack insulation.

Lockwasher 1/4 Int tooth:

Material: Steel.

Finish: Nickel plated per QQ-N-290

Hex nut 1/4-32:

Material: Brass.

Finish: Nickel plated per QQ-N-290.

Banana jack body/solder turret:

Material: Brass, per QQ-B-626, Alloy 360,  
1/2 Hard.

Finish: Bright tin plated per MIL-T-10727.

### RATINGS: (Entire assembly)

Operating Temperature: +115°C. (+239°F.) Max.

Voltage: Hand-held testing: 30VAC/60VDC Max.

Hands free testing in controlled voltage environments: 2500 WVDC Max.

Current: 15 Amperes

### ORDERING INFORMATION: Model 4601-\*

\*=Color, -0 Black, -2 Red

Ordering Example: 4601-2 Color is Red.

All dimensions are in inches. Tolerances (except noted): .xx = ±.02" (.51 mm), .xxx = ±.005" (.127 mm).

All specifications are to the latest revisions. Specifications are subject to change without notice.

Registered trademarks are the property of their respective companies. Made in USA