

4

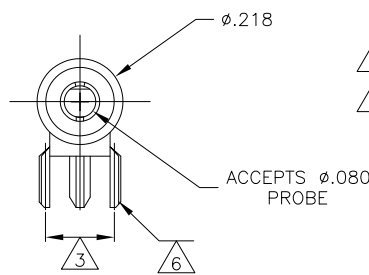
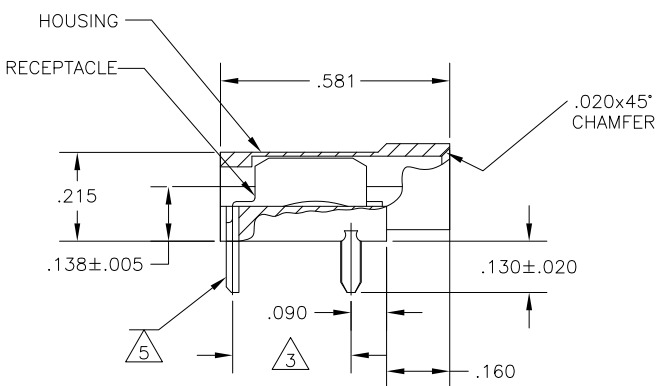
3

2

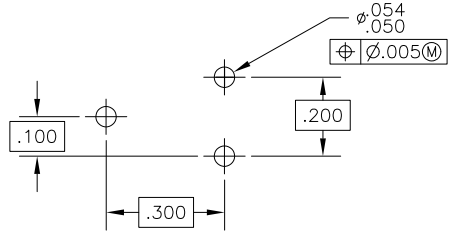
1

THIS DRAWING IS UNPUBLISHED. RELEASED FOR PUBLICATION
 © COPYRIGHT - By - ALL RIGHTS RESERVED.

LOC	DIST	REVISIONS			
P	LTR	DESCRIPTION	DATE	DWN	APVD
AF	50				
	L2	REVISED PER ECO-11-004587	11MAR11	RK	HMR



- 1 OPERATING TEMPERATURE, 105°C MAX
- 2 RETENTION FORCE-16 OZ MIN INITIALLY, 6 OZ MIN AFTER 500 CYCLES.
- 3 REFER TO MOUNTING HOLE PATTERN.
- 5 SINGLE LEG IS LIVE CIRCUIT
- 6 DOUBLE LEGS FOR MECHANICAL MOUNTING ONLY.



	GOLD	WHITE	350180-9
OBSOLETE	GOLD	GRAY	350180-8
	GOLD	VIOLET	350180-7
	GOLD	BLUE	350180-6
	GOLD	GREEN	350180-5
	GOLD	YELLOW	350180-4
	GOLD	ORANGE	350180-3
	GOLD	RED	350180-2
OBSOLETE	GOLD	BROWN	350180-1
	GOLD	BLACK	350180-0
	RECEPTACLE & LEGS FINISH	HOUSING COLOR	ASSY NO.

RECOMMENDED MOUNTING HOLE PATTERN

THIS DRAWING IS A CONTROLLED DOCUMENT.

DIMENSIONS: INCHES	TOLERANCES UNLESS OTHERWISE SPECIFIED:		DWN RAGHAVENDRA 11JUL2008	
	0 PLC	± -	CHK JEFF RUTH 11JUL2008	
	1 PLC	± -	APVD ED HOWARD 11JUL2008	NAME
	2 PLC	± .015	PRODUCT SPEC	TE Connectivity
	3 PLC	± -	APPLICATION SPEC	TEST PROBE ASSY
	4 PLC	± -	WEIGHT	
MATERIAL: HOUSING, NYLON TYPE 6/6; RECEPTACLE & LEGS, ASTM-B36 ALLOY6		FINISH: ± 1' 0"	SIZE: A3	CAGE CODE: 00779
			DRAWING NO: 350180	RESTRICTED TO: -
CUSTOMER DRAWING			SCALE: 4:1	SHEET: 1 OF 1
			REV: L2	