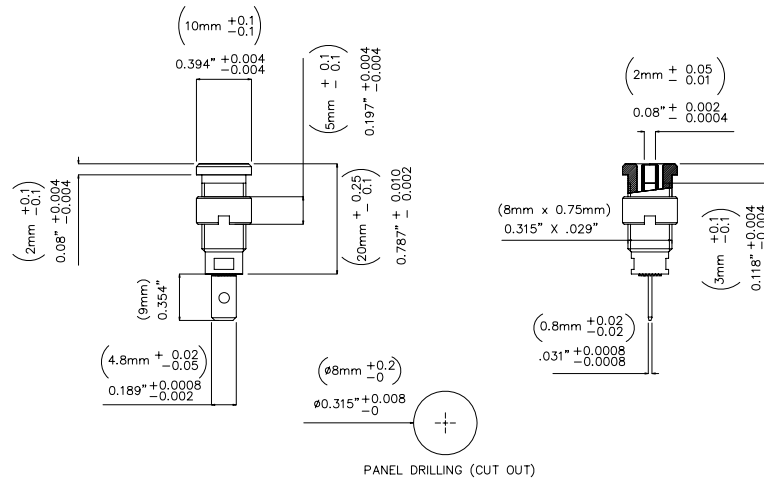


Models 72922
2mm SAFETY Sheathed Jack with Solder Tab



Features

- 2mm safety sheathed jack with solder tab
- Rating: 600V Cat II, 10A.

Materials

- Body: Polyamide.
- Pin: Nickel plated brass.
- Nut: Nickel plated

Ordering Information

Model: 72922-Color
Available colors: Black (-0) or Red (-2)

Specifications

Max Current	10A
Max Voltage	600 V CAT II
Max Resistance	Less than 5 mΩ

USA: Sales: 800-490-2361 Technical Support: 800-241-2060 Fax: 888-403-3360

Europe: 31-(0) 40 2675 150 **International:** 425-446-5500
e-mail: technicalsupport@pomonatest.com

Where to Buy: www.pomonaelectronics.com

All dimensions are in inches. Tolerances (except noted): .xx = ± 0.02 " (.51 mm), .xxx = ± 0.005 " (.127 mm). All specifications are to the latest revisions. Specifications are subject to change without notice. Registered trademarks are the property of their respective companies.