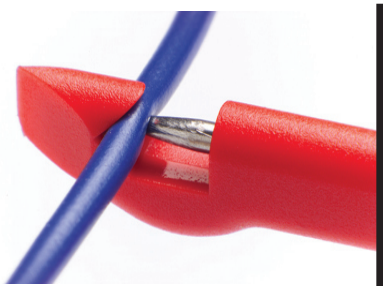


# Automotive Test Accessories



# EZ-HOOK®

The Impossible Hookers™ for the Best Connections



# VERSATILE TEST KIT COMPONENTS

INDIVIDUAL PLUG-IN COMPONENTS  
PROVIDE KIT VERSATILITY

All automotive test kits are available with  
XEL or 610XJL-3 Piercing Hook Models

**BUILD YOUR OWN KIT!**  
Select your own kit  
components, or choose from one  
of our preassembled  
automotive kits.

## XEL MODEL

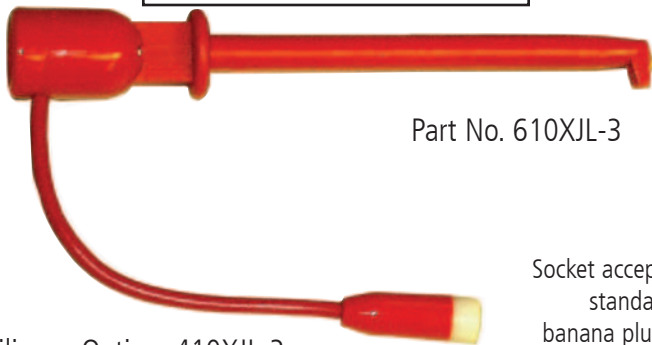
Part No. XEL



Socket accepts standard  
and shrouded banana plugs

## 610XJL-3 MODEL

Part No. 610XJL-3



Silicone Option: 410XJL-3

Socket accepts  
standard  
banana plugs

## PIN TIP TEST PROBE

Part No. 31



Socket accepts standard banana plugs

## BANANA PLUG ADAPTER

Part No. 9384



Socket accepts standard and shrouded banana plugs

## LARGE ALLIGATOR CLIP

Part No. 9468

Socket accepts standard  
and shrouded banana  
plugs



## STANDARD ALLIGATOR CLIP

Part No. 8016

Socket accepts  
standard banana plugs



## SOCKET ADAPTER

Part No. 9430



Socket accepts  
standard and  
shrouded banana plugs

Ideal for lead extension

# AUTOMOTIVE TEST KITS

KIT NO.		KIT INCLUDES
<b>3501</b> Includes 610XJL-3 Model	<b>3601</b> Includes XEL Model	<ul style="list-style-type: none"> <li>- Two (2) 36" banana plug to banana plug leads (1 red, 1 black), <b>standard PVC wire</b> (P/N 9183-36)</li> <li>- One (1) 144" banana plug to banana plug ground extension lead (black), <b>standard PVC wire</b> (P/N 9183-144)</li> <li>- Two (2) insulated alligator clips (1 red, 1 black) (P/N 8016)</li> <li>- One (1) pin tip test probe (red) (P/N 31)</li> <li>- One (1) insulation piercing hook (red) (select 610XJL-3 or XEL Model)</li> </ul>
<b>3502</b> Includes 410XJL-3 Model	<b>3602</b> Includes XEL Model	<ul style="list-style-type: none"> <li>- Two (2) 36" banana plug to banana plug leads (1 red, 1 black), <b>silicone wire</b> (P/N 9183SIL-36)</li> <li>- One (1) 144" banana plug to banana plug ground extension lead (black), <b>silicone wire</b> (P/N 9183SIL-144)</li> <li>- Two (2) insulated alligator clips (1 red, 1 black) (P/N 8016)</li> <li>- One (1) pin tip test probe (red) (P/N 31)</li> <li>- One (1) insulation piercing hook (red) (select 410XJL-3 or XEL Model)</li> </ul>
<b>3503</b> Includes 610XJL-3 Model	<b>3603</b> Includes XEL Model	<ul style="list-style-type: none"> <li>- Two (2) 36" banana plug to banana-plug leads (1 red, 1 black), <b>coiled PVC wire</b> (P/N 9183C)</li> <li>- One (1) 144" banana plug to banana plug ground extension lead (black), <b>standard PVC wire</b> (P/N 9183-144)</li> <li>- Two (2) insulated alligator clips (1 red, 1 black) (P/N 8016)</li> <li>- One (1) pin tip test probe (red) (P/N 31)</li> <li>- One (1) insulation piercing hook (red) (select 610XJL-3 or XEL Model)</li> </ul>
<b>3504</b> Includes 610XJL-3 Model	<b>3604</b> Includes XEL Model	<ul style="list-style-type: none"> <li>- Two (2) insulation piercing hooks (1 red, 1 black) (select 610XJL-3 or XEL Model)</li> <li>- Two (2) pin tip probes (1 red, 1 black) (P/N 31)</li> <li>- Two (2) insulated alligator clips (1 red, 1 black) (P/N 8016)</li> <li>- Two (2) heavy duty alligator clips to banana socket (1 red, 1 black) (P/N 9468)</li> <li>- One (1) deluxe <b>PVC</b> lead set (see below) (Part No. 3519)</li> </ul>
<b>3505</b> Includes 410XJL-3 Model	<b>3605</b> Includes XEL Model	<ul style="list-style-type: none"> <li>- Two (2) insulation piercing hooks (1 red, 1 black) (select 410XJL-3 or XEL Model)</li> <li>- Two (2) pin tip probes (1 red, 1 black) (P/N 31)</li> <li>- Two (2) insulated alligator clips (1 red, 1 black) (P/N 8016)</li> <li>- Two (2) heavy duty alligator clips to banana socket (1 red, 1 black) (P/N 9468)</li> <li>- One (1) deluxe <b>silicone</b> lead set (see below) (Part No. 3520)</li> </ul>

Rugged plastic box or nylon pouch included to hold all kit components.



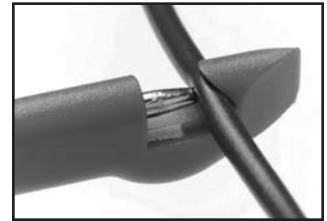
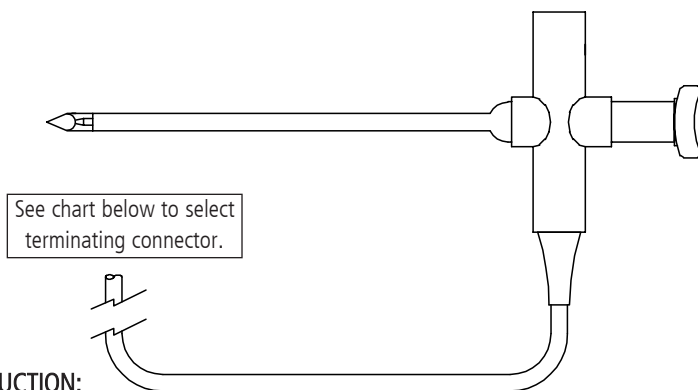
## DELUXE LEAD SETS

LEAD SET	PART NO.	LEAD WIRE TYPE	DESCRIPTION
	3519	PVC	<u>Includes Five Leads:</u> <ul style="list-style-type: none"> <li>- Two (2) right angle banana plugs to standard banana plugs, 18" (R/B), see P/N 9820-18 (PVC) or 9897-18 (silicone)</li> <li>- Two (2) right angle banana plugs to standard banana plugs, 48" (R/B), see P/N 9820-48 (PVC) or 9897-48 (silicone)</li> </ul>
	3520	Silicone	<ul style="list-style-type: none"> <li>- One (1) standard banana plug to standard banana plug, 144" (black), see P/N 9183-144 (PVC) or 9183SIL-144 (silicone)</li> </ul>

# XEL & XJL INSULATION PIERCING LEAD SETS

Insulation piercing leads let you make a connection while the engine is running, without unplugging or disconnecting wires. Sets come with your choice of the XEL or XJL hook to various terminating connectors. All sets contain one red and one black lead, available with standard PVC, coiled PVC, and silicone wire. Note: silicone wire is more resistant to gas, chemicals, and heat.

## XEL INSULATION PIERCING TEST LEADS

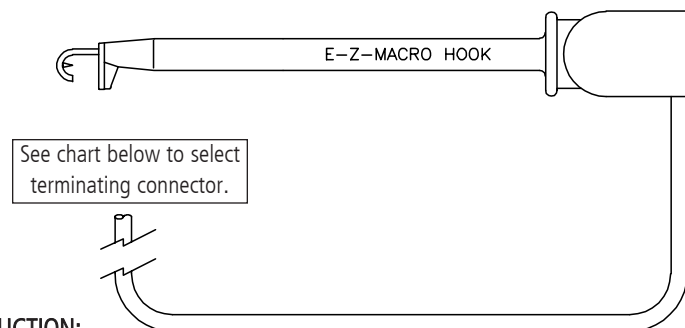


Screw driver style tip threads through wire bundles to easily extract the wire to be tested. V-Groove in tip centers various wire gauges for positive contact.

### HOOK CONSTRUCTION:

A .060" diameter stainless steel needle contact is used to pierce wire insulation up to .150" in diameter. All plastic housing is molded durable nylon. A stainless steel compression spring provides approximately 40 oz. (1134 grams) contact pressure.

## XJL INSULATION PIERCING TEST LEADS

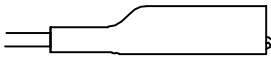
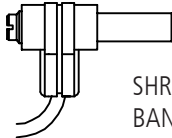
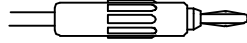


Piercing hook makes clean contact through insulation.

### HOOK CONSTRUCTION:

Nickel-silver conductor and hook, .050" (1.27mm) thick. Hook fits over component leads up to .125" (3.18mm) diameter. Durable nylon body and plunger. Stainless steel compression coil spring provides approximately 40 oz. (1134 grams) contact pressure.








Test set contains two XEL or XJL E-Z-Macro Hooks (1 red & 1 black) with factory installed lead wires and connectors. Select terminating connector.

TERMINATING CONNECTOR	LEAD WIRE TYPE	WIRE LENGTH (inches)	HOOK MODEL	PART NO.
 INSULATED ALLIGATOR CLIP	Standard PVC	18"	XEL	619XEL-18R/B
			XJL	619XJL-18R/B
	Coiled PVC	extends to 60"	XEL	619XELC-R/B
			XJL	619XJLC-R/B
	Silicone	18"	XEL	419XEL-18R/B
			XJL	419XJL-18R/B
 SHROUDED BANANA PLUG	Standard PVC	48"	XEL	633XEL-48R/B
			XJL	633XJL-48R/B
	Coiled PVC	extends to 60"	XEL	633XELC-R/B
			XJL	633XJLC-R/B
	Silicone	48"	XEL	433XEL-48R/B
			XJL	433XJL-48R/B
 STANDARD BANANA PLUG	Standard PVC	36"	XEL	BXEL-36R/B
			XJL	BXJL-36R/B
	Coiled PVC	extends to 60"	XEL	BXELC-R/B
			XJL	BXJLC-R/B
	Silicone	36"	XEL	BXEL4-36R/B
			XJL	BXJL4-36R/B

Additional lengths and terminating connectors are available. Contact E-Z-Hook for more information: 1-(800)-995-HOOK (4665), or info@e-z-hook.com.

## TEST LEAD SETS

Leads available as R/B sets (1 red, 1 black), or individual colors sold in red or black. All lead wire is 18 AWG unless otherwise noted.

LEAD	PART NO.	LEAD WIRE TYPE	WIRE LENGTH (inches)
 <p>Standard Banana Plug to Standard Banana Plug</p>	9183-36 (color)	PVC	36"
	9183SIL-36 (color)	Silicone	
	9183-144 (color)	PVC	144"
	9183SIL-144 (color)	Silicone	
 <p>Standard Banana Plug to Standard Banana Plug</p>	9183C (color)	20 AWG Coiled PVC	Extends to 60"
 <p>Insulated Alligator Clip to Insulated Alligator Clip</p>	684-36 (color)	PVC	36"
	484-36 (color)	Silicone	
	684-144 (color)	PVC	144"
	484-144 (color)	Silicone	
 <p>Insulated Alligator Clip to Standard Banana Plug</p>	680H-36 (color)	PVC	36"
	480H-36 (color)	Silicone	
	680H-144 (color)	PVC	144"
	480H-144 (color)	Silicone	
 <p>Shrouded Right Angle Banana Plug to Standard Banana Plug</p>	9820-18 (color)	PVC	18"
	9897-18 (color)	Silicone	
	9820-48 (color)	PVC	48"
	9897-48 (color)	Silicone	
 <p>Insulated Alligator Clip to Shrouded Right Angle Banana Plug</p>	9819-(length) (color)	PVC	Available in inches: 18, 36, 48, 60
	9926-(length) (color)	Silicone	
 <p>Shrouded Right Angle Banana Plug to Shrouded Right Angle Banana Plug</p>	9138-(length) (color)	PVC	Available in inches: 18, 36, 48, 60
	9925-(length) (color)	Silicone	

Additional lengths and terminating connectors are available. Contact E-Z-Hook for more information: 1-(800)-995-HOOK (4665), or info@e-z-hook.com.

## E-Z-FLEX ADAPTERS



Part No. w/ SOCKET	Part No. w/ PIN	DIAMETER
9334	9338	.030" (.762mm)
9335	9339	.040" (1.02mm)
9336	9340	.062" (1.60mm)
9337	9341	.094" (2.36mm)
KIT NUMBER	COMPONENTS	
9099-0316	16-piece full set includes 1 red, 1 black of all 8 sockets and pins	

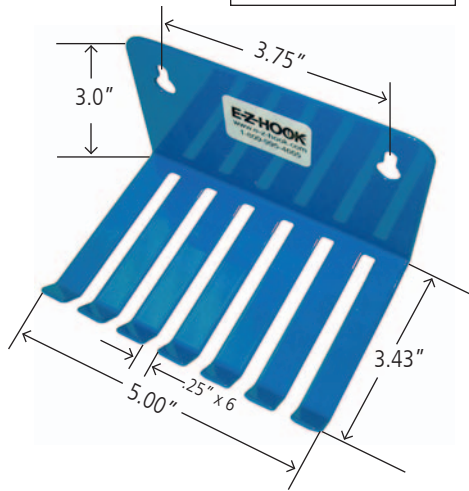
All 8 sockets and pins are available in colors red and black, and can be sold individually or in a kit. All pin and socket test adapters have a standard banana socket in the back.

## WALL BRACKETS

Part No.	Description
<b>WB6</b>	6-Slot Wall Bracket

Small 6-slot wall bracket for test leads and cables.

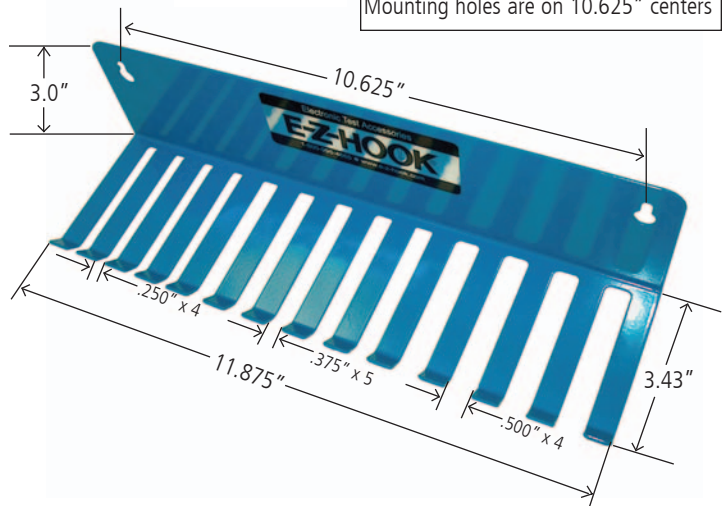
**WB6 Dimensions:**  
 3.00" High x 5.00" Wide  
 Fingers protrude 3.43"  
 Slots are .25" wide  
 Mounting holes are on 3.75" centers



Part No.	Description
<b>WB14</b>	13-Slot Wall Bracket

Large 13-slot wall bracket for test leads and cables. Three distinct slot widths.

**WB14 Dimensions:**  
 3.00" High x 11.875" Wide  
 Fingers protrude 3.43"  
 4 slots are .25" wide, 5 slots are .375" wide, and 4 slots are .500" wide  
 Mounting holes are on 10.625" centers



The E-Z-Hook Motorcycle Streamliner was designed, built, and ridden by E-Z-Hook Engineer Sam Wheeler. The Streamliner currently holds the Overall Motorcycle World Speed Record at 332.410 MPH running in the 1350cc Blown Fuel Class. Wheeler set the record in August 2004. The design of the E-Z-Hook Streamliner, developed using CalTech's Guggenheim Aeronautical Lab Wind Tunnel, achieved an incredible low coefficient of drag of .1007. Visit our website at [www.e-z-hook.com](http://www.e-z-hook.com) for our automotive products.

Since 1956 E-Z-Hook has been manufacturing electronic test accessories. Our extensive product line includes quality test and measurement products for the electrical, electronic, industrial, automotive, telecom, and medical fields. Products include test leads, adapters, connectors, hooks, probes, nail clips, wire, cable assemblies, and coaxial accessories. Custom manufacturing is available. For a full product catalog please contact us directly.

All parts in this catalog can be ordered individually

DISTRIBUTED BY:

# E-Z-HOOK®

P.O. BOX 660729  
 ARCADIA, CALIFORNIA 91006-0729  
 TEL: 626-446-6175 \* FAX: 626-446-0972  
 ORDER DESK: 1-(800)-995-HOOK (4665)  
 WWW.E-Z-HOOK.COM \* INFO@E-Z-HOOK.COM

