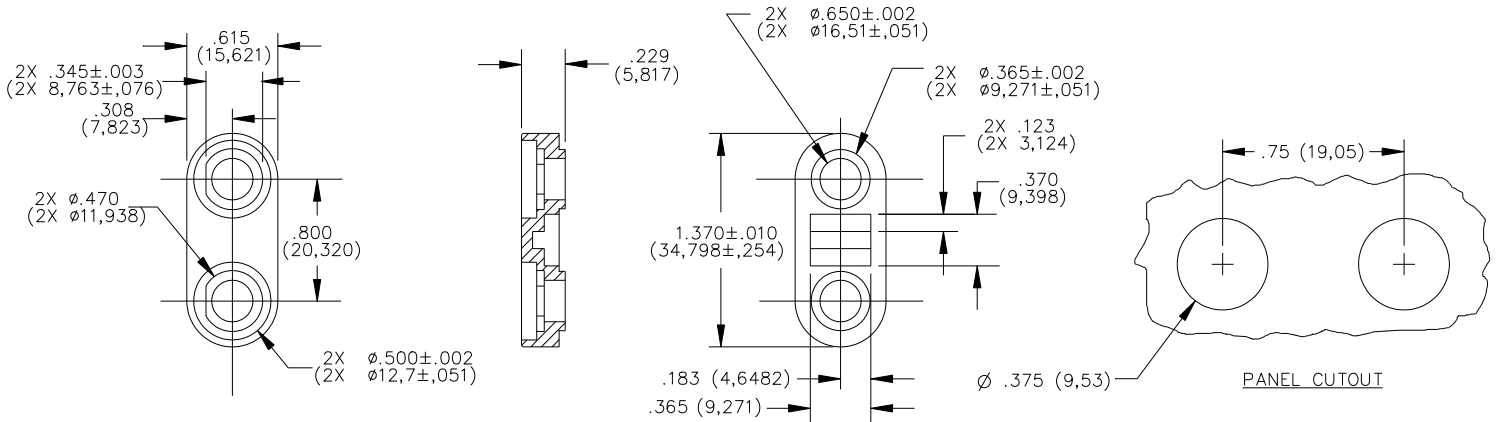


Model 4654 Double Standard Banana Jack Mounting Base



MATERIALS:

Body: Polycarbonate

Color: Black

Marking : "Pomona Electronics Calif."

RATINGS:

Operating Temperature: +115° C. (+239° F.) Max.

ORDERING INFORMATION: Model 4654-*

*=Color, -0 Black,

Ordering Example: 4654-0 Mounting Base Color is Black

Parts are packaged ten (10) per bag.

For use with Models 1581, 2269, 2854, 4005.

All dimensions are in inches. Tolerances (except noted): .xx = ±.02" (.51 mm), .xxx = ±.005" (.127 mm).

All specifications are to the latest revisions. Specifications are subject to change without notice.

Registered trademarks are the property of their respective companies. Made in USA

6/9/99

SY/EH/LS

W:\pomona\grponly\Datasheet Updates\Updates 2005\d4654_1_02.doc

More drawings available at www.pomonaelectronics.com

Page 1 of 1