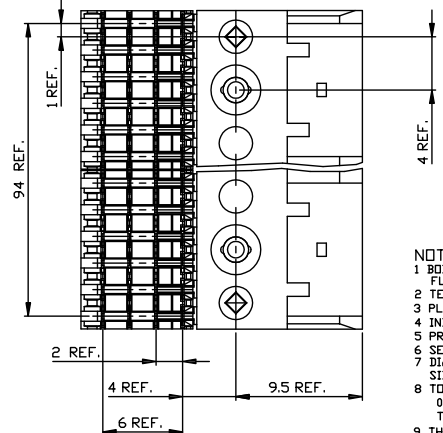
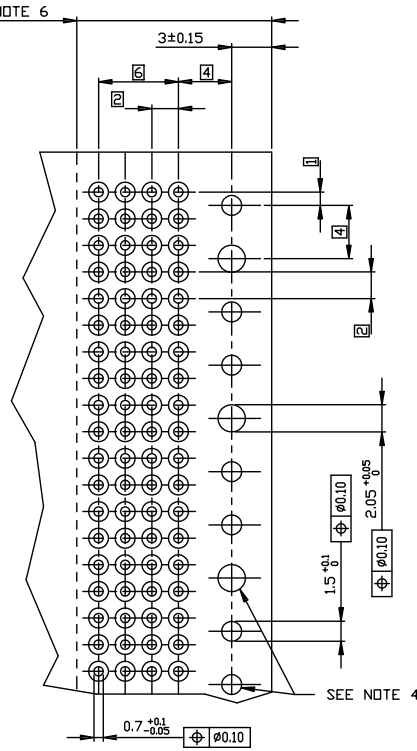
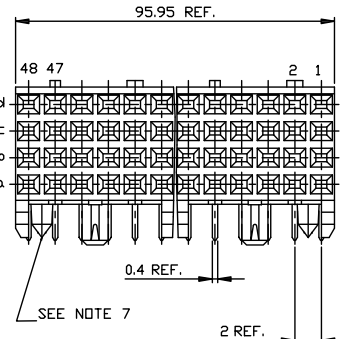
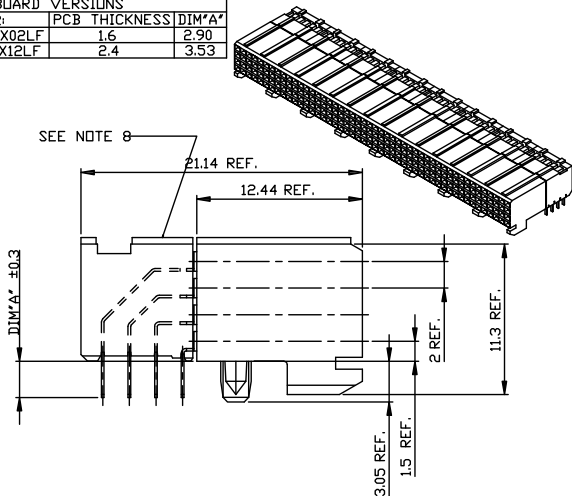


All rights are reserved. Reproduction or translation in any form is prohibited without written permission from the proprietor.
 © FCI Inc.

PC BOARD VERSIONS		
PRODUCTNR:	PCB THICKNESS	DIM A*
89038-X02/X02LF	1.6	2.90
89038-X12/X12LF	2.4	3.53



PRODUCT AFTER PC BOARD APPLICATION.

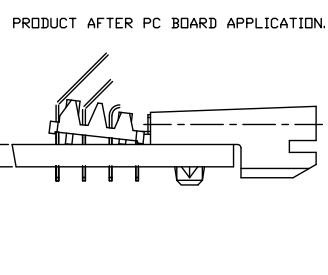
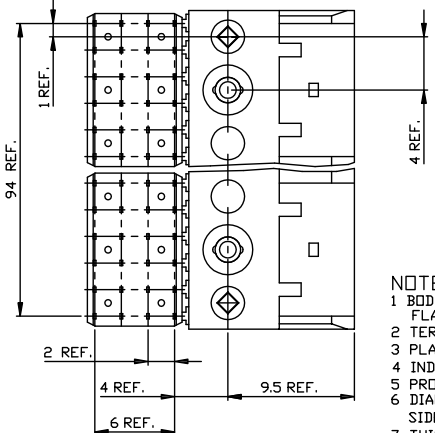
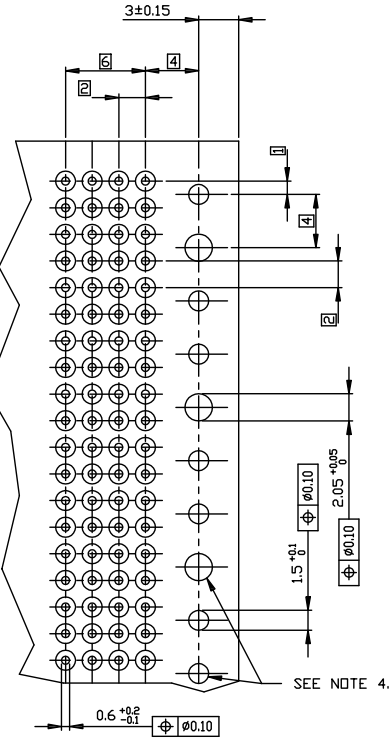
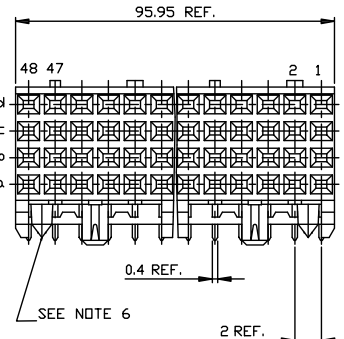
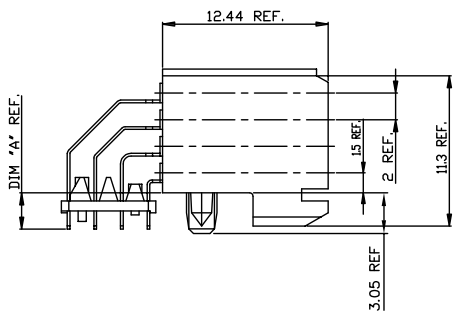
PC BOARD THICKNESS ±0.20
SEE TABLE

- NOTES:**
- 1 BODY MAT'L: LIQUID CRYSTAL POLYMER 30% GLASS
FLAME RETARDANT ACC. UL 94-V0
 - 2 TERMINAL MATERIAL: PHOSPHOR BRONZE.
 - 3 PLATING SOLDER TAILS 2-8 μm Sn/Pb 90-97 DR 2-8 μm PURE Sn
 - 4 INDICATED HOLES ARE UNPLATED.
 - 5 PRODUCT MARKING: PART NUMBER & BATCH ID.
 - 6 SET BACK FOR PRESS BLOCK.
 - 7 DIAMOND LOCATION PEG ARE ONLY EXISTED ON THE BOTH SIDES OF PRODUCT.
 - 8 TOP SURFACE OF PRESS BLOCK MAY EXTEND UP TO 0.4MM HIGHER THAN HOUSING. THIS MAY AFFECT THE TAIL LENGTH BEFORE APPLICATION TO A BOARD
 - 9 THIS PRODUCT MEETS EUROPEAN UNION DIRECTIVES AND OTHER COUNTRY REGULATIONS AS DESCRIBED IN GS-22-008
 - 10 THE HOUSING WILL WITHSTAND EXPOSURE TO 260DEGREE PEAK TEMPERATURE FOR 10 SECONDS IN A WAVE SOLDER APPLICATION.

PLATING CONTACT AREA	
DASH NR:	PERFORMANCE LEVEL:
-1Y/1Y1LF	TELCORDIA CD
-2Y/2Y1LF	CUSTOMER SPECIAL
-3Y/3Y1LF	CUSTOMER SPECIAL
-9Y/9Y1LF	TELCORDIA CD

mat'l. code		tolerances unless otherwise specified		CUSTOMER COPY		FCI	
lin	ecm	ngdr	date	projection	title	RA FEMALE SIGNAL	www.fciconnect.com
					96 mm PRESS PEG		
					product family	METRAL (CN)	code
					scale	51	213
					size	A2	89038
					sheet	2 of 2	
sheet	revision						
index	sheet						

PC BOARD VERSIONS		
PRODUCTNR:	PCB THICKNESS	DIM "A"
89038-X03/X03LF	1,6	2,90
89038-X13/X13LF	2,4	3,53



- NOTES:**
- 1 BODY MAT'L: LIQUID CRYSTAL POLYMER 30% GLASS
FLAME RETARDANT ACC. UL 94-V0
 - 2 TERMINAL MATERIAL: PHOSPHOR BRONZE.
 - 3 PLATING SOLDER TAILS 2-8 μm SnPb 90-97 OR 2-8 μm PURE Sn
 - 4 INDICATED HOLES ARE UNPLATED.
 - 5 PRODUCT MARKING: PART NUMBER & BATCH ID.
 - 6 DIAMOND LOCATION PEG ARE ONLY EXISTED ON THE BOTH SIDES OF PRODUCT.
 - 7 THIS PRODUCT MEETS EUROPEAN UNION DIRECTIVES AND OTHER COUNTRY REGULATIONS AS DESCRIBED IN GS-22-008.
 - 8 THE HOUSING WILL WITHSTAND EXPOSURE TO 260 DEGREE PEAK TEMPERATURE FOR 10 SECONDS IN A WAVE SOLDER APPLICATION.

PLATING CONTACT AREA	
DASH NR:	PERFORMANCE LEVEL:
-1Y1/1Y1LF	TELCORDIA CD
-2Y1/2Y1LF	CUSTOMER SPECIAL
-3Y1/3Y1LF	CUSTOMER SPECIAL
-9Y1/9Y1LF	TELCORDIA CD

mat'l. code	tolerances unless otherwise specified	CUSTOMER COPY	FC
lin	ecr	ndar	date
linear		projection	title
angles		1st angle	RA FEMALE SIGNAL
dr: Heven Gm	11/23/06	mm	96 mm PRESS PEG
engr: Cothe Lu	11/23/06	product family	METAL (CN)
chr: Iner Fu	11/23/06	scale	A2
app: Joseph Hsu	11/23/06	5:1	89038
sheet	revision		code
index	sheet		213
			sheet 3 of 3