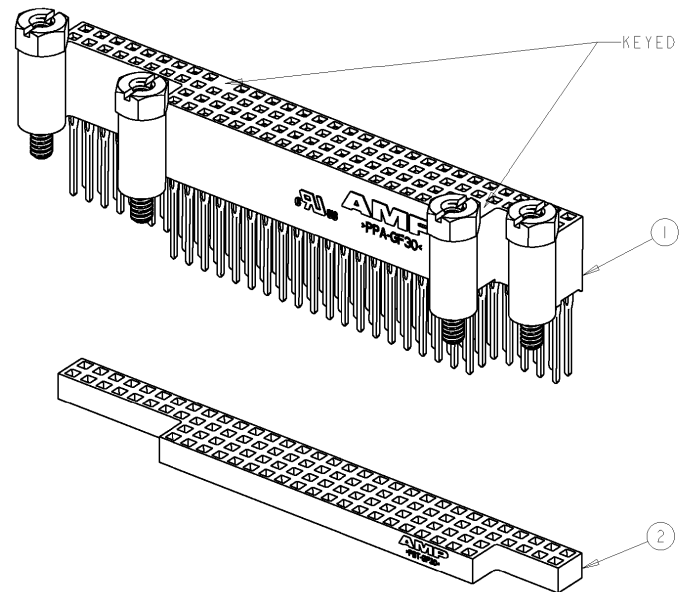


THIS DRAWING IS UNPUBLISHED. RELEASED FOR PUBLICATION
 © COPYRIGHT 20 BY TYCO ELECTRONICS CORPORATION. ALL RIGHTS RESERVED.

LOC	DIST	REVISIONS				
P	LTR	DESCRIPTION	DATE	DWN	APVD	
0		REV PER EC 063C-0183-01	13JUN2001	MB	JO	
A		REV PER EC 063C-0313-04	25AUG2004	MB	JO	
B		063C-0184-05	31AUG2005	RB	JO	



1. COMPONENTS BULK PACKAGED.
 2 1445439-1 & -3 (AS SHOWN) KEYED VERSION PER PCI04 SPECIFICATION.
 3 1445439-2 & -4 UNKEYED VERSION.
 4 ROHS 2002/95/EC COMPLIANT PART TO BE USED WITH ROHS 2002/95/EC COMPLIANT PCB'S.

4 3	1445251-1	1375791-4	1445439-4
4 2	1445251-1	1375791-3	1445439-3
3	1445251-1	1375791-2	1445439-2
2	1445251-1	1375791-1	1445439-1
2	ORGANIZER QTY = 1	1 CONNECTOR ASSY QTY = 1	PART NUMBER

<small>THIS DRAWING IS A CONTROLLED DOCUMENT FOR THE ELECTRONICS CORPORATION IT IS SUBJECT TO CHANGE AND THE CONTROLLING ENGINEERING ORGANIZATION SHOULD BE CONTACTED FOR THE LATEST REVISION.</small>		DWN R BROWN 29MAR2001 CHN J OLSON 29MAR2001 APVD J OLSON 29MAR2001	AMP Tyco Electronics Harrisburg, PA 17105-3608
DIMENSIONS: mm 	TOLERANCES UNLESS OTHERWISE SPECIFIED: 0 PLC ±. 1 PLC ±0.5 2 PLC ±0.13 3 PLC ±0.013 4 PLC ±0.0001 ANGLES ±. FINISH -	PRODUCT SPEC 108-1956 APPLICATION SPEC 114-13021 WEIGHT - CUSTOMER DRAWING	NAME KIT, PC/104 ASSEMBLY, FOUR STANDOFF W/ORGANIZER SIZE A3 CAGE CODE 00779 DRAWING NO G-1445439 RESTRICTED TO
MATERIAL -		SCALE 2:1 SHEET 1 OF 1 REV B	

AMP 1470-19 REV 31MAR2000
 Proj/ENGINEER DRAWING