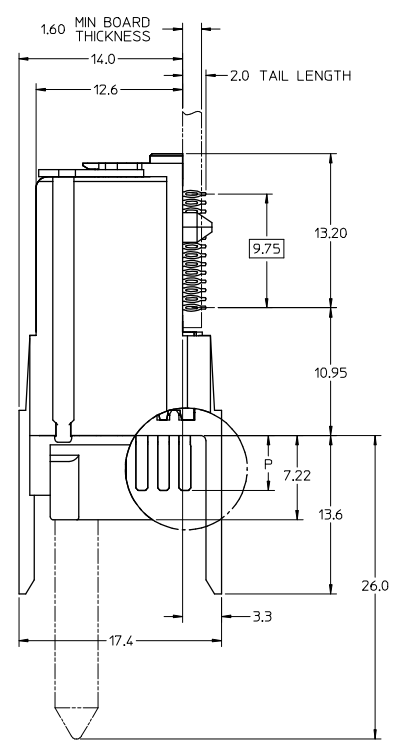
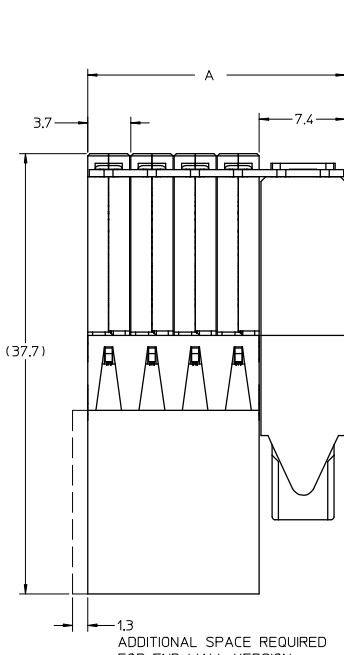
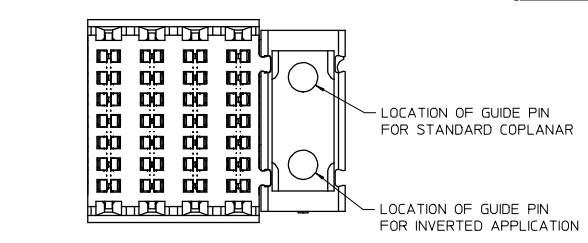
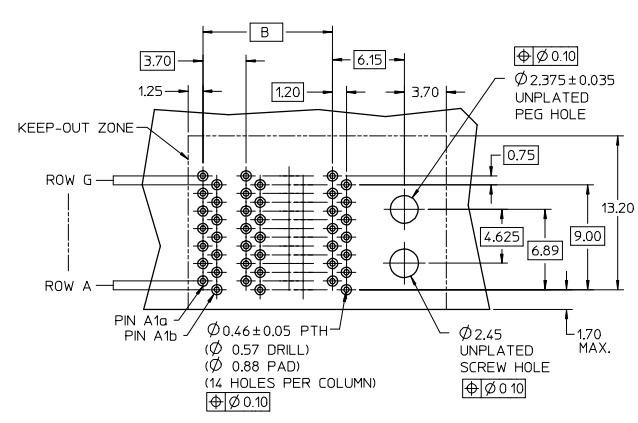


13 12 11 10 9 8 7 6 5 4 3 2 1



PART NUMBER	# OF COLUMNS	DIM 'A' MAX	DIM 'B'
76011 - *6**	6	29.60	18.50
76011 - *1**	10	44.40	33.30



- NOTES:
1. MATERIALS: HOUSING - LIQUID CRYSTAL POLYMER (LCP), BLACK, UL 94V-0
TERMINALS - HIGH PERFORMANCE COPPER ALLOY
 2. FINISH: SELECTIVE 30 μ * GOLD IN CONTACT AREA WITH LUBE.
SELECTIVE TIN/LEAD (-4***, -8***) OR SELECTIVE TIN (-5***, -9***)
ON PCB TAILS, NICKEL UNDERPLATE OVERALL.
 3. MOLEX PRODUCT SPECIFICATION: PS-75710-999.
 4. OPTIONAL GUIDE PIN SHOWN IN COPLANAR LOCATION.
 5. THIS PART CONFORMS TO CLASS B REQUIREMENTS OF
COSMETIC SPEC PS-45499-002.
 6. PACKAGED PER PK-70873-588.

CLARIFY ST. GRD EC NO: UCP2008-2982 DRAWN BY: MDRWICKSTEINART 2008/06/11 CHKD: TELCO 2008/06/11 APPR: JB INGHAM 2008/06/11	QUALITY SYMBOLS ▽=0 ▽=0	GENERAL TOLERANCES (UNLESS SPECIFIED)		DIMENSION STYLE MM ONLY		SCALE 4:1	DESIGN UNITS METRIC	THIRD ANGLE PROJECTION
		mm	INCH	DRAWN BY ELO	DATE 2006/05/03	TITLE I-TRAC 7-ROW RIGHT ANGLE MALE GUIDE RIGHT ASSEMBLY		
		4 PLACES	±---	±---	CHECKED BY JLAURX	DATE 2006/05/04		
		3 PLACES	±---	±---	APPROVED BY CBIXLER	DATE 2006/05/05		
		2 PLACES	±0.13	±---				
		1 PLACE	±0.25	±---				
		ANGULAR	±---	±---				
DRAFT WHERE APPLICABLE MUST REMAIN WITHIN DIMENSIONS		SEE SHEET 2		MATERIAL NO. SD-76011-003		DOCUMENT NO. SD-76011-003		SHEET NO. 1 OF 3

12 11 10 9 8 7 6 5 4 3 2 1

13 12 11 10 9 8 7 6 5 4 3 2 1

7 6 0 1 1 - * * * *

MODULE TYPE - TAIL PLATING TYPE
 RIGHT GUIDED - TIN/LEAD = 4
 RIGHT GUIDED - TIN ONLY = 5
 GUIDE RIGHT, END WALL - TIN/LEAD = 8
 GUIDE RIGHT, END WALL - TIN ONLY = 9

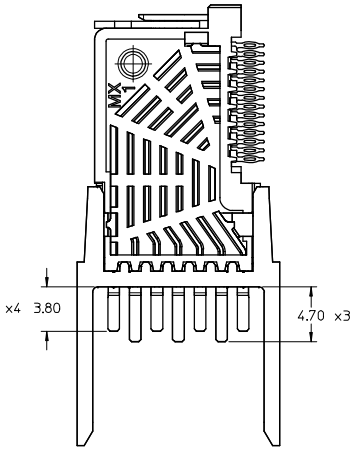
OF COLUMNS
 6 = 6 COL
 1 = 10 COL

PIN LENGTH (P)
 3 = 4,70
 5 = 3,80, 4,70 STAGGERED

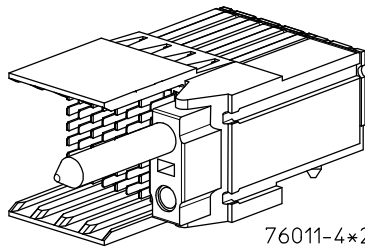
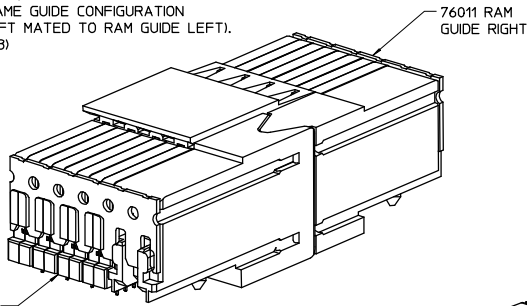
ORIENTATION
 GUIDE POST
 2 = COPLANAR
 3 = INVERTED

NOTE:

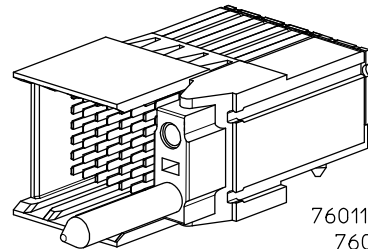
WHEN MATING RIGHT ANGLE MALE (RAM) TO A DAUGHTERCARD IN A COPLANAR APPLICATION, THE GUIDE CONFIGURATION IS OPPOSING (DC GUIDE LEFT MATED TO RAM GUIDE RIGHT). WHEN INVERTED, THE RAM AND DAUGHTERCARD HAVE THE SAME GUIDE CONFIGURATION (DC GUIDE LEFT MATED TO RAM GUIDE LEFT). (SEE SHEET 3)



STAGGERED PIN OPTION
(76011-***5)



76011-4*2* or
76011-5*2*
GUIDE RIGHT, COPLANAR



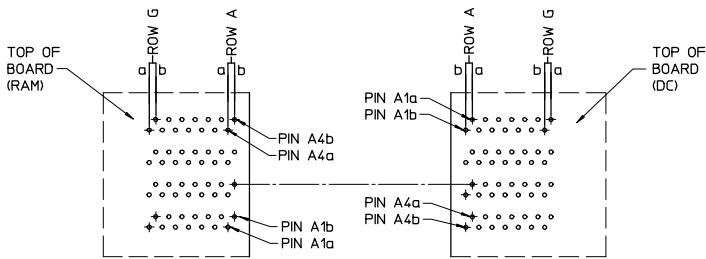
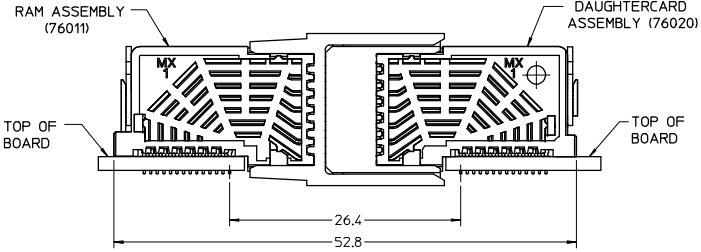
76011-8*3* or
76011-9*3*
GUIDE RIGHT, END WALL,
INVERTED

REM OPT 76011-***6 EC NO. UCP2008-2982 DRAWN BY STEWART 2008/06/11 CHKD:TELO 2008/06/11 APPR: JB INGHAM 2008/06/11	QUALITY SYMBOLS	GENERAL TOLERANCES (UNLESS SPECIFIED)		DIMENSION STYLE MM ONLY		SCALE 3:1	DESIGN UNITS METRIC	THIRD ANGLE PROJECTION
	▽=0	4 PLACES ±---	±---	DRAWN BY ELO	DATE 2006/05/03	TITLE I-TRAC 7-ROW RIGHT ANGLE MALE GUIDE RIGHT ASSEMBLY		
	▽=0	3 PLACES ±---	±---	CHECKED BY JLAURX	DATE 2006/05/04	MOLEX INCORPORATED		
		2 PLACES ±0.13	±---	APPROVED BY CBIXLER	DATE 2006/05/05	MATERIAL NO.	DOCUMENT NO.	SHEET NO.
	1 PLACE ±0.25	±---	DRAFT WHERE APPLICABLE MUST REMAIN WITHIN DIMENSIONS		SEE CHART	SD-76011-003	2 OF 3	
	ANGULAR ±---	°	THIS DRAWING CONTAINS INFORMATION THAT IS PROPRIETARY TO MOLEX INCORPORATED AND SHOULD NOT BE USED WITHOUT WRITTEN PERMISSION					

12 11 10 9 8 7 6 5 4 3 2 1

13 12 11 10 9 8 7 6 5 4 3 2 1

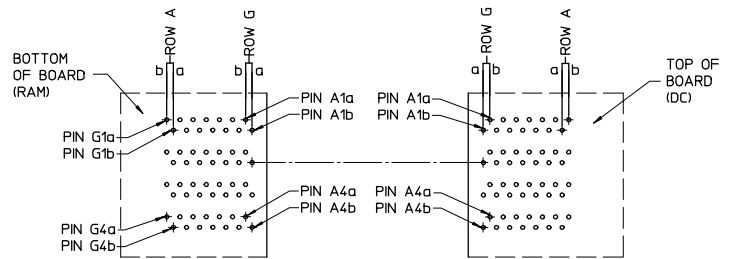
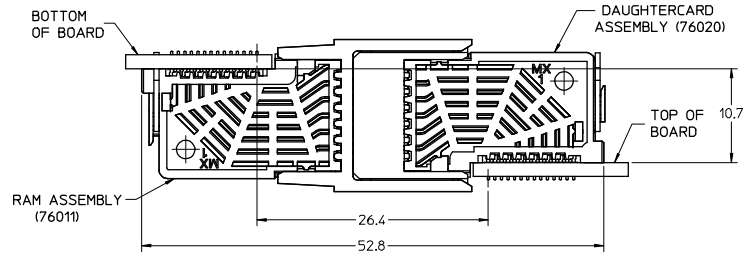
COPLANAR APPLICATION



COPLANAR MATED SIGNAL PATHS

RAM PIN A4b.....	DC PIN A1a
RAM PIN A4a.....	DC PIN A1b
RAM PIN A1b.....	DC PIN A4a
RAM PIN A1a.....	DC PIN A4b

INVERTED APPLICATION



INVERTED MATED SIGNAL PATHS

RAM PIN G1a.....	DC PIN A1a
RAM PIN G1b.....	DC PIN A1b
RAM PIN G4a.....	DC PIN A4a
RAM PIN G4b.....	DC PIN A4b

SEE SHEET 1 EC NO: UCP2008-2982 DRAWN BY: MDRWIN/STEWART 2008/06/11 CHKD: TELLO 2008/06/11 APPR: JB INGHAM 2008/06/11	QUALITY SYMBOLS	GENERAL TOLERANCES (UNLESS SPECIFIED) mm INCH	DIMENSION STYLE	SCALE	DESIGN UNITS	THIRD ANGLE PROJECTION
	▽=0 ▽=0		4 PLACES ±--- ±--- 3 PLACES ±--- ±--- 2 PLACES ±0.13 ±--- 1 PLACE ±0.25 ±--- ANGULAR ±---°	MM ONLY	2:1	
	DESCRIPTION	DRAFT WHERE APPLICABLE MUST REMAIN WITHIN DIMENSIONS	DRAWN BY: ELO DATE: 2006/05/03 CHECKED BY: JLaurX DATE: 2006/05/04 APPROVED BY: CBIXLER DATE: 2006/05/05	TITLE: I-TRAC 7-ROW RIGHT ANGLE MALE GUIDE RIGHT ASSEMBLY MOLEX INCORPORATED		
	REV	SIZE	MATERIAL NO.: SEE SHEET 2 DOCUMENT NO.: SD-76011-003	THIS DRAWING CONTAINS INFORMATION THAT IS PROPRIETARY TO MOLEX INCORPORATED AND SHOULD NOT BE USED WITHOUT WRITTEN PERMISSION		SHEET NO.: 3 OF 3

12 11 10 9 8 7 6 5 4 3 2 1