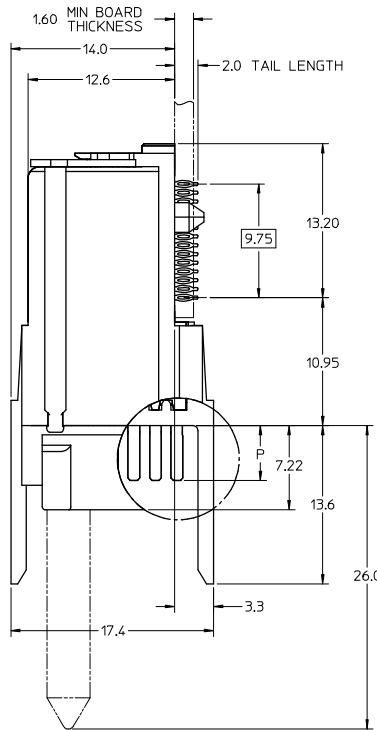
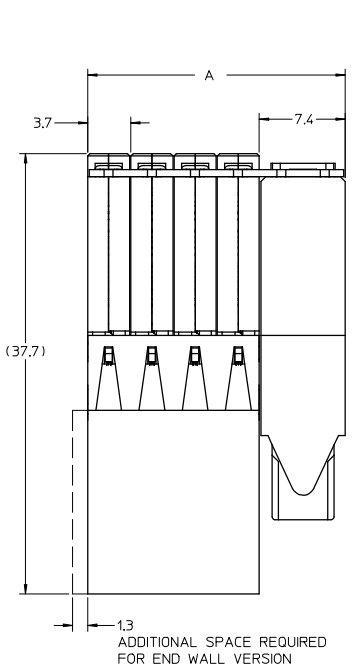
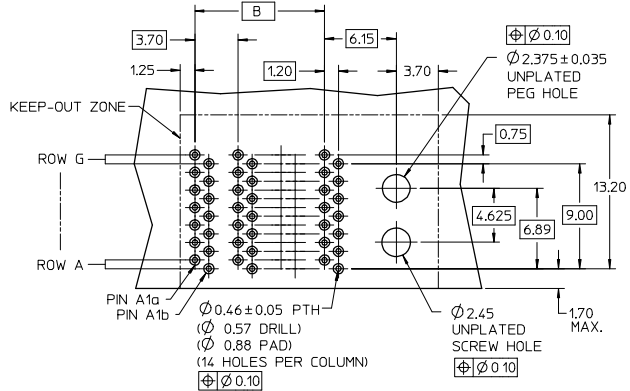


13 12 11 10 9 8 7 6 5 4 3 2 1

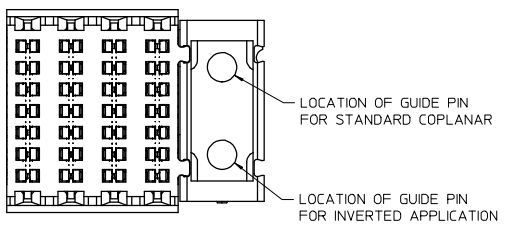


PART NUMBER	# OF COLUMNS	DIM 'A' MAX	DIM 'B'
76011 - *6**	6	29.60	18.50
76011 - *1**	10	44.40	33.30



RAM HOLE PATTERN (CONNECTOR SIDE)

- NOTES:
1. MATERIALS: HOUSING - LIQUID CRYSTAL POLYMER (LCP), BLACK, UL 94V-0
TERMINALS - HIGH PERFORMANCE COPPER ALLOY
 2. FINISH: SELECTIVE 30 μ * GOLD IN CONTACT AREA WITH LUBE.
SELECTIVE TIN/LEAD (-4***, -8***) OR SELECTIVE TIN (-5***, -9***)
ON PCB TAILS, NICKEL UNDERPLATE OVERALL.
 3. MOLEX PRODUCT SPECIFICATION: PS-75710-999.
 4. OPTIONAL GUIDE PIN SHOWN IN COPLANAR LOCATION.
 5. THIS PART CONFORMS TO CLASS B REQUIREMENTS OF COSMETIC SPEC PS-45499-002.
 6. PACKAGED PER PK-70873-588.



CLARIFY ST. GRD EC NO. UCP2008-2982 DRAWN BY: MDRWICKSTEINART 2008/06/11 CHECKED BY: CHFKO:TELO 2008/06/11 APPR: JB INGHAM 2008/06/11	QUALITY SYMBOLS	GENERAL TOLERANCES (UNLESS SPECIFIED)		DIMENSION STYLE		SCALE	DESIGN UNITS	THIRD ANGLE PROJECTION
	$\nabla=0$ $\nabla=0$	mm	INCH	MM ONLY		4:1	METRIC	
		4 PLACES ±---	±---	DRAWN BY	DATE	TITLE		
		3 PLACES ±---	±---	ELO	2006/05/03	I-TRAC 7-ROW RIGHT ANGLE MALE GUIDE RIGHT ASSEMBLY		
	2 PLACES ±0.13	±---	CHECKED BY	DATE	MOLEX INCORPORATED			
	1 PLACE ±0.25	±---	JLAURX	2006/05/04				
	ANGULAR ±---	±---	APPROVED BY	DATE				
			CBIXLER	2006/05/05				
			MATERIAL NO.		DOCUMENT NO.	SHEET NO.		
			SEE SHEET 2		SD-76011-003	1 OF 3		
			DRAFT WHERE APPLICABLE MUST REMAIN WITHIN DIMENSIONS					
			THIS DRAWING CONTAINS INFORMATION THAT IS PROPRIETARY TO MOLEX INCORPORATED AND SHOULD NOT BE USED WITHOUT WRITTEN PERMISSION					

12 11 10 9 8 7 6 5 4 3 2 1

13 12 11 10 9 8 7 6 5 4 3 2 1

7 6 0 1 1 - * * * *

MODULE TYPE - TAIL PLATING TYPE
 RIGHT GUIDED - TIN/LEAD = 4
 RIGHT GUIDED - TIN ONLY = 5
 GUIDE RIGHT, END WALL - TIN/LEAD = 8
 GUIDE RIGHT, END WALL - TIN ONLY = 9

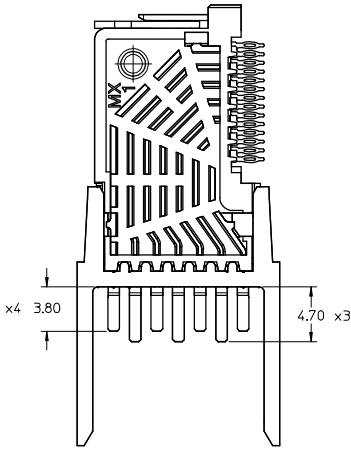
OF COLUMNS
 6 = 6 COL
 1 = 10 COL

PIN LENGTH (P)
 3 = 4,70
 5 = 3,80, 4,70 STAGGERED

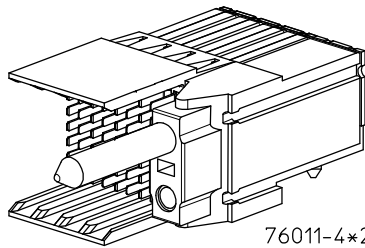
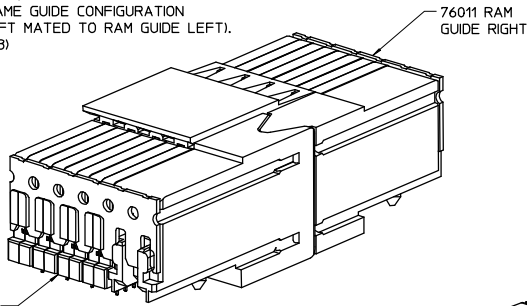
ORIENTATION
 GUIDE POST
 2 = COPLANAR
 3 = INVERTED

NOTE:

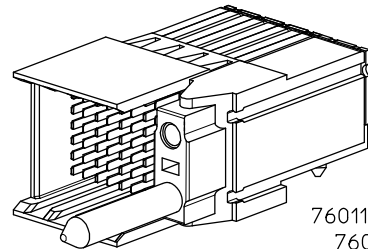
WHEN MATING RIGHT ANGLE MALE (RAM)
 TO A DAUGHTERCARD IN A COPLANAR APPLICATION,
 THE GUIDE CONFIGURATION IS OPPOSING
 (DC GUIDE LEFT MATED TO RAM GUIDE RIGHT).
 WHEN INVERTED, THE RAM AND DAUGHTERCARD
 HAVE THE SAME GUIDE CONFIGURATION
 (DC GUIDE LEFT MATED TO RAM GUIDE LEFT).
 (SEE SHEET 3)



STAGGERED PIN OPTION
(76011-***5)



76011-4*2* or
 76011-5*2*
 GUIDE RIGHT, COPLANAR



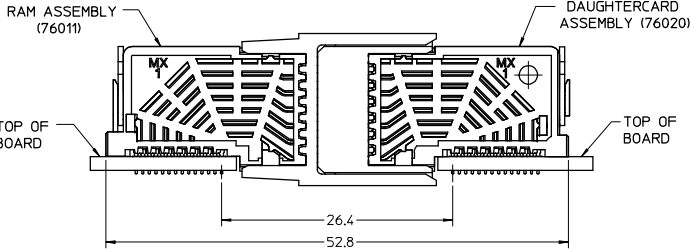
76011-8*3* or
 76011-9*3*
 GUIDE RIGHT, END WALL,
 INVERTED

REM OPT 76011-***6 EC NO. UCP2008-2982 DRAWN BY STEWART 2008/06/11 CHKD:TELO 2008/06/11 APPR: JB INGHAM 2008/06/11	QUALITY SYMBOLS ▽=0 ▽=0	GENERAL TOLERANCES (UNLESS SPECIFIED)		DIMENSION STYLE MM ONLY		SCALE 3:1	DESIGN UNITS METRIC	THIRD ANGLE PROJECTION		
		4 PLACES ±--- ±---	3 PLACES ±--- ±---	2 PLACES ±0.13 ±---	1 PLACE ±0.25 ±---	ANGULAR ±---°	DRAWN BY ELO DATE 2006/05/03	CHECKED BY JL AURX DATE 2006/05/04	APPROVED BY CB IXLER DATE 2006/05/05	TITLE I-TRAC 7-ROW RIGHT ANGLE MALE GUIDE RIGHT ASSEMBLY
		DRAFT WHERE APPLICABLE MUST REMAIN WITHIN DIMENSIONS			SEE CHART	MATERIAL NO. SD-76011-003	DOCUMENT NO.	SHEET NO. 2 OF 3	MOLEX INCORPORATED	
		THIS DRAWING CONTAINS INFORMATION THAT IS PROPRIETARY TO MOLEX INCORPORATED AND SHOULD NOT BE USED WITHOUT WRITTEN PERMISSION								

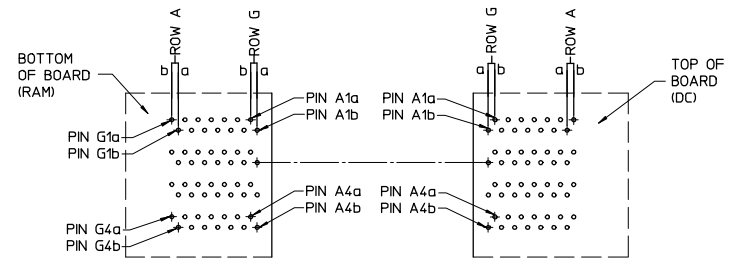
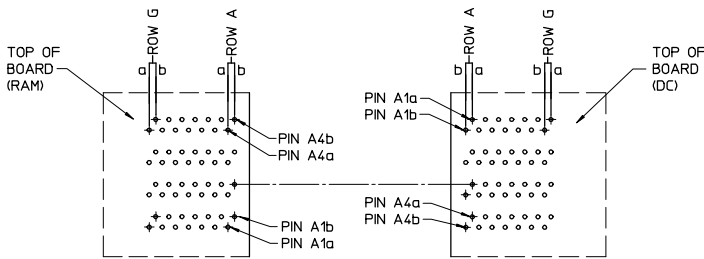
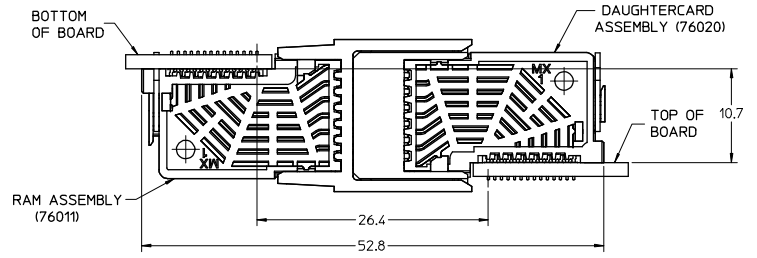
12 11 10 9 8 7 6 5 4 3 2 1

13 12 11 10 9 8 7 6 5 4 3 2 1

COPLANAR APPLICATION



INVERTED APPLICATION



COPLANAR MATED SIGNAL PATHS

RAM PIN A4b.....	DC PIN A1a
RAM PIN A4a.....	DC PIN A1b
RAM PIN A1b.....	DC PIN A4a
RAM PIN A1a.....	DC PIN A4b

INVERTED MATED SIGNAL PATHS

RAM PIN G1a.....	DC PIN A1a
RAM PIN G1b.....	DC PIN A1b
RAM PIN G4a.....	DC PIN A4a
RAM PIN G4b.....	DC PIN A4b

SEE SHEET 1 EC NO: UCP2008-2982 DRAWN BY: MDRWIN/STEWART 2008/06/11 CHKD: TELLO 2008/06/11 APPR: JB INGHAM 2008/06/11	QUALITY SYMBOLS	GENERAL TOLERANCES (UNLESS SPECIFIED)		DIMENSION STYLE		SCALE	DESIGN UNITS	THIRD ANGLE PROJECTION
	▽=0 ▽=0	mm	INCH	MM ONLY		2:1	METRIC	
		4 PLACES ±--- ±---		DRAWN BY	DATE	TITLE		
		3 PLACES ±--- ±---		ELO	2006/05/03	I-TRAC 7-ROW RIGHT ANGLE MALE GUIDE RIGHT ASSEMBLY		
	2 PLACES ±0.13 ±---		CHECKED BY	DATE	MOLEX INCORPORATED			
	1 PLACE ±0.25 ±---		JLAURX	2006/05/04				
	ANGULAR ±---°		APPROVED BY	DATE				
			CBIXLER	2006/05/05				
	DRAFT WHERE APPLICABLE MUST REMAIN WITHIN DIMENSIONS		MATERIAL NO.	DOCUMENT NO.	SHEET NO.			
			SEE SHEET 2	SD-76011-003	3 OF 3			
			THIS DRAWING CONTAINS INFORMATION THAT IS PROPRIETARY TO MOLEX INCORPORATED AND SHOULD NOT BE USED WITHOUT WRITTEN PERMISSION					

12 11 10 9 8 7 6 5 4 3 2 1