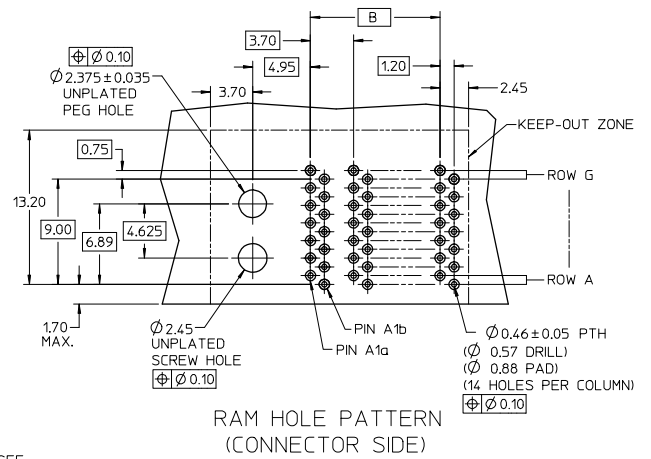
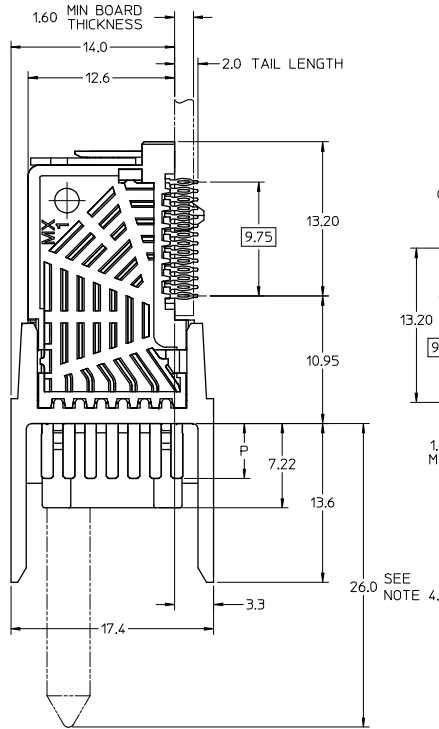
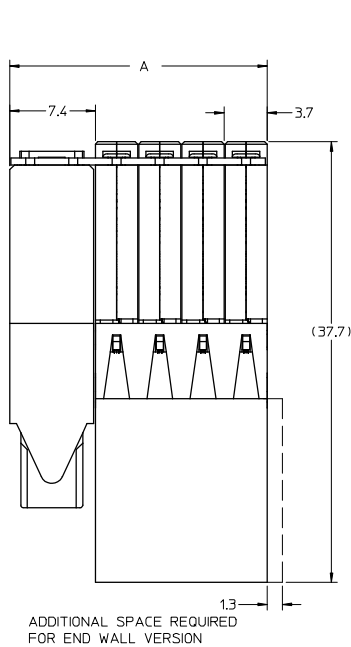
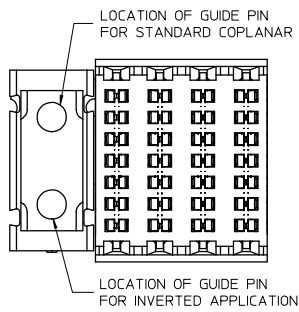


13 12 11 10 9 8 7 6 5 4 3 2 1

PART NUMBER	# OF COLUMNS	DIM 'A' MAX	DIM 'B'
76011 - *6**	6	29.60	18.50
76011 - *1**	10	44.40	33.30



- NOTES:
- MATERIALS: HOUSING - LIQUID CRYSTAL POLYMER (LCP), BLACK, UL 94V-0
TERMINALS - HIGH PERFORMANCE COPPER ALLOY
 - FINISH: SELECTIVE 30 μ' GOLD IN CONTACT AREA WITH LUBE, SELECTIVE TIN/LEAD (-2***, -6***), OR SELECTIVE TIN (-3***, 7***), ON PCB TAILS, NICKEL UNDERPLATE OVERALL.
 - MOLEX PRODUCT SPECIFICATION: PS-75710-999.
 - OPTIONAL GUIDE PIN SHOWN IN COPLANAR LOCATION.
 - THIS PART CONFORMS TO CLASS B REQUIREMENTS OF COSMETIC SPEC PS-45499-002.
 - PACKAGED PER PK-70873-588.



CLARIFY ST. GRD EC NO. UCP2008-2982 DRW: KJSTEWART 2008/06/11 CHK: CTELO 2008/06/11 APPR: JB INGHAM 2008/06/11 REV DESCRIPTION	QUALITY SYMBOLS	GENERAL TOLERANCES (UNLESS SPECIFIED)	DIMENSION STYLE	SCALE	DESIGN UNITS	THIRD ANGLE PROJECTION
	=0 ∇=0	mm INCH 4 PLACES ±--- ±--- 3 PLACES ±--- ±--- 2 PLACES ±0.25 ±--- 1 PLACE ±0.13 ±--- ANGULAR ±---°	MM ONLY DRAWN BY DATE ELO 2006/05/04 CHECKED BY DATE ELO 2007/02/02 APPROVED BY DATE CBI XLER 2007/02/05	4:1	METRIC	I-TRAC 7-ROW RIGHT ANGLE MALE GUIDE LEFT ASSEMBLY MOLEX INCORPORATED
	DRAFT WHERE APPLICABLE MUST REMAIN WITHIN DIMENSIONS	SEE SHEET 2	MATERIAL NO. DOCUMENT NO.			
			SD-76011-002			SHEET NO. 1 OF 3

12 11 10 9 8 7 6 5 4 3 2 1

13 12 11 10 9 8 7 6 5 4 3 2 1

7 6 0 1 1 - * * * *

MODULE TYPE - TAIL PLATING TYPE
 LEFT GUIDED - TIN/LEAD = 2
 LEFT GUIDED - TIN ONLY = 3
 GUIDE LEFT, END WALL - TIN/LEAD = 6
 GUIDE LEFT, END WALL - TIN ONLY = 7

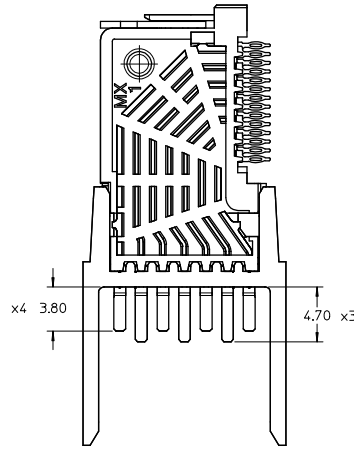
OF COLUMNS
 6 = 6 COL
 1 = 10 COL

PIN LENGTH (P)
 3 = 4.70
 5 = 3.80, 4.70 STAGGERED

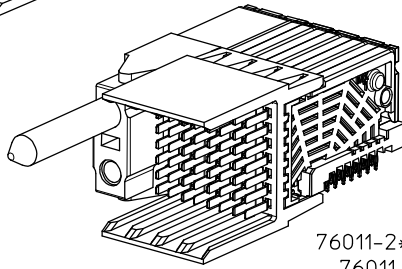
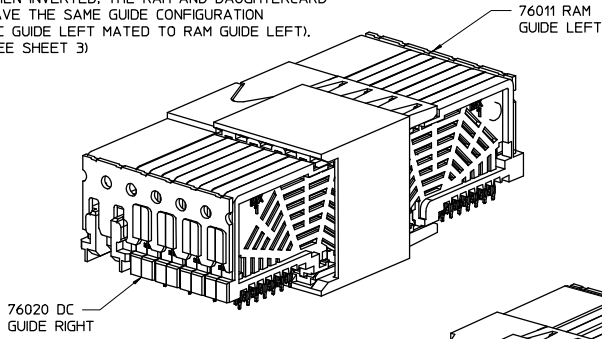
ORIENTATION OF GUIDE POST
 2 = COPLANAR
 3 = INVERTED

NOTE:

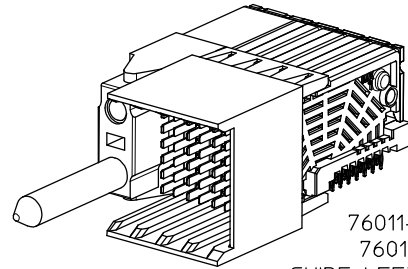
WHEN MATING RIGHT ANGLE MALE (RAM) TO A DAUGHTERCARD IN A COPLANAR APPLICATION, THE GUIDE CONFIGURATION IS OPPOSING (DC GUIDE RIGHT MATED TO RAM GUIDE LEFT). WHEN INVERTED, THE RAM AND DAUGHTERCARD HAVE THE SAME GUIDE CONFIGURATION (DC GUIDE LEFT MATED TO RAM GUIDE LEFT). (SEE SHEET 3)



STAGGERED PIN OPTION
(76011-***5)



76011-2*2* or
76011-3*2*
GUIDE LEFT, COPLANAR



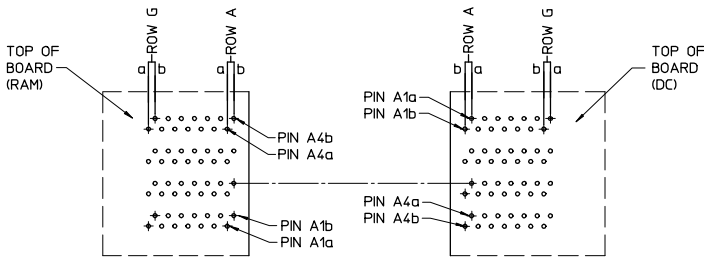
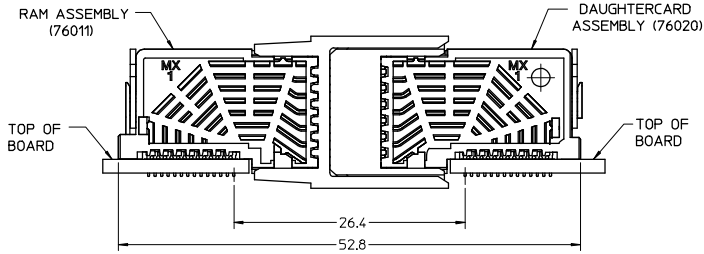
76011-6*3* or
76011-7*3*
GUIDE LEFT, END WALL,
INVERTED

REM OPT 76011-***6 EC NO: UCP2008-2982 DRAWN BY: 2008/06/11 CHKD: TELO 2008/06/11 APPR: JB INGHAM 2008/06/11 DESCRIPTION REV	QUALITY SYMBOLS	GENERAL TOLERANCES (UNLESS SPECIFIED)		DIMENSION STYLE		SCALE	DESIGN UNITS	THIRD ANGLE PROJECTION
	▽=0 ▽=0	mm	INCH	MM ONLY	3:1	METRIC		
	4 PLACES ±--- ±--- 3 PLACES ±--- ±--- 2 PLACES ±0.25 ±--- 1 PLACE ±0.13 ±--- ANGULAR ±---°	ELO	DATE	TITLE		I-TRAC 7-ROW RIGHT ANGLE MALE GUIDE LEFT ASSEMBLY		
	DRAFT WHERE APPLICABLE MUST REMAIN WITHIN DIMENSIONS	SEE CHART	DATE	MOLEX INCORPORATED		SD-76011-002		
		APPROVED BY	DATE	MATERIAL NO.	DOCUMENT NO.	SHEET NO.		
		CBIXLER	2007/02/05			2 OF 3		
		THIS DRAWING CONTAINS INFORMATION THAT IS PROPRIETARY TO MOLEX INCORPORATED AND SHOULD NOT BE USED WITHOUT WRITTEN PERMISSION						

12 11 10 9 8 7 6 5 4 3 2 1

13 12 11 10 9 8 7 6 5 4 3 2 1

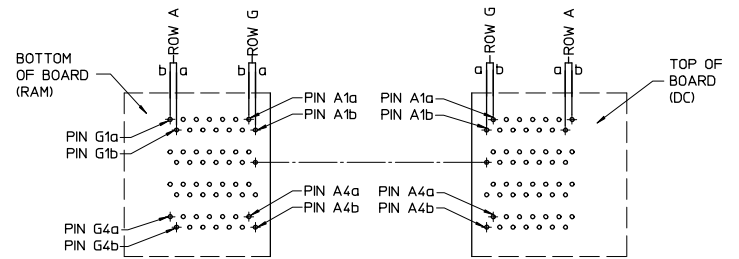
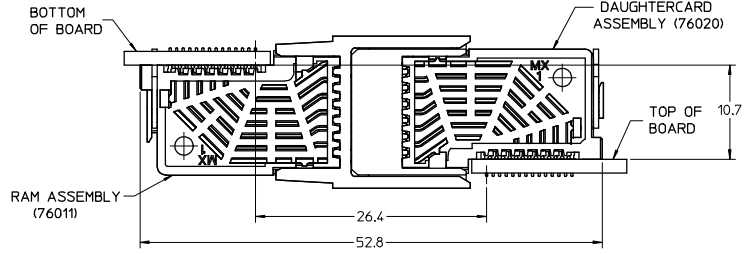
COPLANAR APPLICATION



COPLANAR MATED SIGNAL PATHS

RAM PIN A4b.....	DC PIN A1a
RAM PIN A4a.....	DC PIN A1b
.....	
RAM PIN A1b.....	DC PIN A4a
RAM PIN A1a.....	DC PIN A4b

INVERTED APPLICATION



INVERTED MATED SIGNAL PATHS

RAM PIN G1a.....	DC PIN A1a
RAM PIN G1b.....	DC PIN A1b
.....	
RAM PIN G4a.....	DC PIN A4a
RAM PIN G4b.....	DC PIN A4b

SEE SHEET 1 EC NO: UCP2008-2982 DRAWN BY: DRWIN/STEWART 2008/06/11 CHECKED BY: CHKO/TELO 2008/06/11 APPR: JB INGHAM 2008/06/11	QUALITY SYMBOLS	GENERAL TOLERANCES (UNLESS SPECIFIED)		DIMENSION STYLE MM ONLY		SCALE 2:1	DESIGN UNITS METRIC	THIRD ANGLE PROJECTION
	▽=0 ▽=0	4 PLACES ±--- ±---	mm	INCH	DRAWN BY ELO	DATE 2006/05/04	TITLE I-TRAC 7-ROW RIGHT ANGLE MALE GUIDE LEFT ASSEMBLY	
		3 PLACES ±--- ±---			CHECKED BY ELO	DATE 2007/02/02	MOLEX INCORPORATED	
		2 PLACES ±0.25 ±---			APPROVED BY CBIXLER	DATE 2007/02/05	DOCUMENT NO. SD-76011-002	SHEET NO. 3 OF 3
	1 PLACE ±0.15 ±---			MATERIAL NO.		THIS DRAWING CONTAINS INFORMATION THAT IS PROPRIETARY TO MOLEX INCORPORATED AND SHOULD NOT BE USED WITHOUT WRITTEN PERMISSION		
	ANGULAR ±---°			DRAFT WHERE APPLICABLE MUST REMAIN WITHIN DIMENSIONS		SEE SHEET 2		

12 11 10 9 8 7 6 5 4 3 2 1