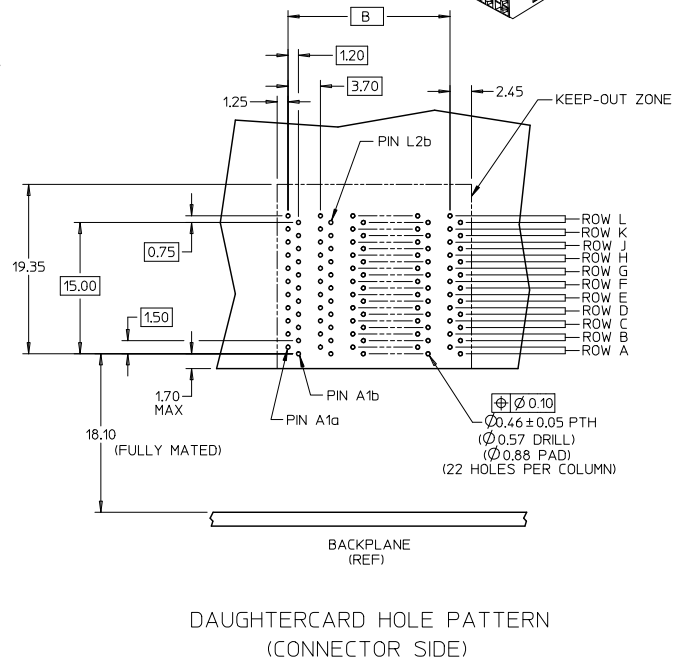
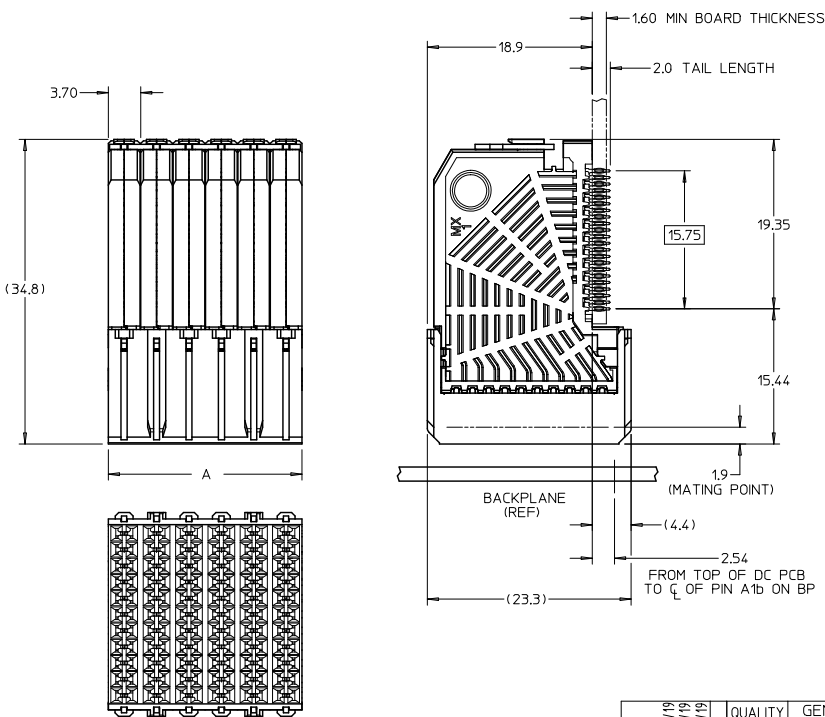
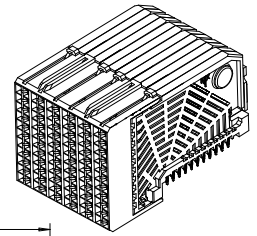


13 12 11 10 9 8 7 6 5 4 3 2 1

MATERIAL NUMBER	# OF COLUMNS	DIM 'A' MAX	DIM 'B'
75710-005	5	18.50	14.80
75710-006	6	22.20	18.50
75710-008	8	29.60	25.90
75710-010	10	37.00	33.30

75710-0\*\*

MODULE TYPE -- TAIL PLATING TYPE # OF COLUMNS  
 UNGUIDED -- TIN/LEAD = 0 05 = 5 COL  
 UNGUIDED -- TIN ONLY = 1 06 = 6 COL  
 08 = 8 COL  
 10 = 10 COL



- NOTES:
1. MATERIALS: HOUSING - LIQUID CRYSTAL POLYMER (LCP) GLASS-FILLED, UL94V-0  
 TERMINALS - HIGH PERFORMANCE COPPER ALLOY
  2. FINISH: 30 µIN MIN GOLD IN CONTACT AREA, SELECTIVE TIN/LEAD (-0\*\*\*)  
 OR SELECTIVE TIN (-1\*\*\*) ON PCB TAILS, NICKEL OVERALL.
  3. REFER TO MOLEX PRODUCT SPEC PS-75710-999 FOR PERFORMANCE SPECIFICATIONS.
  4. PRODUCT IS PACKAGED PER PK-70873-609.
  5. THIS PART CONFORMS TO CLASS B REQUIREMENTS OF COSMETIC SPEC PS-45499-002.

REVISE NOTES EC NO. UCP2007-2348 DRAWN BY: JLAURX CHECKED BY: JLAURX APPR: JLAURX DATE: 2007/03/19 DATE: 2007/03/19	QUALITY SYMBOLS	GENERAL TOLERANCES (UNLESS SPECIFIED)	DIMENSION STYLE	SCALE	DESIGN UNITS	THIRD ANGLE PROJECTION																		
	$\nabla=0$ $\nabla=0$	<table border="1"> <thead> <tr> <th></th> <th>mm</th> <th>INCH</th> </tr> </thead> <tbody> <tr> <td>4 PLACES</td> <td>±---</td> <td>±---</td> </tr> <tr> <td>3 PLACES</td> <td>±---</td> <td>±---</td> </tr> <tr> <td>2 PLACES</td> <td>±0.13</td> <td>±---</td> </tr> <tr> <td>1 PLACE</td> <td>±0.25</td> <td>±---</td> </tr> <tr> <td colspan="3">ANGULAR ±1/2°</td> </tr> </tbody> </table>		mm	INCH	4 PLACES	±---	±---	3 PLACES	±---	±---	2 PLACES	±0.13	±---	1 PLACE	±0.25	±---	ANGULAR ±1/2°			MM ONLY	3:1	METRIC	
		mm	INCH																					
	4 PLACES	±---	±---																					
3 PLACES	±---	±---																						
2 PLACES	±0.13	±---																						
1 PLACE	±0.25	±---																						
ANGULAR ±1/2°																								
DRAFT WHERE APPLICABLE MUST REMAIN WITHIN DIMENSIONS	SEE CHART	DRAWN BY: JLAURX CHECKED BY: NMARTIN APPROVED BY: CBIXLER DATE: 09/01/2005 DATE: 09/01/2005 DATE: 09/01/2005	TITLE	I-TRAC DAUGHTERCARD 11 ROW SIGNAL MODULE UNGUIDED SALES DWG																				
			MATERIAL NO.	DOCUMENT NO.	SHEET NO.																			
				SD-75710-001	1 OF 1																			
			THIS DRAWING CONTAINS INFORMATION THAT IS PROPRIETARY TO MOLEX INCORPORATED AND SHOULD NOT BE USED WITHOUT WRITTEN PERMISSION																					

lb\_frame\_C.P. AM.T  
 Rev. D 2004/06/28

12 11 10 9 8 7 6 5 4 3 2 1