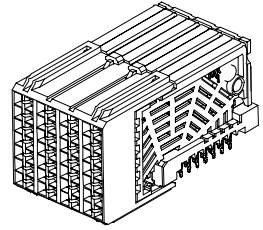


13	12	11	10	9	8	7	6	5	4	3	2	1
MATERIAL NUMBER		# OF COLUMNS	DIM. "A" MAX.		DIM. "B"							
76020-004		4	14.80		11.10							
76020-006		6	22.20		18.50							
76020-010		10	37.00		33.30							

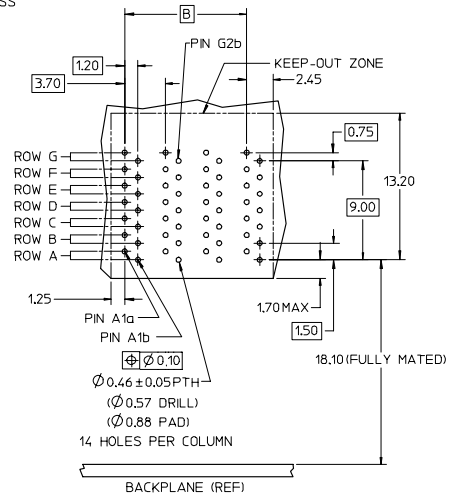
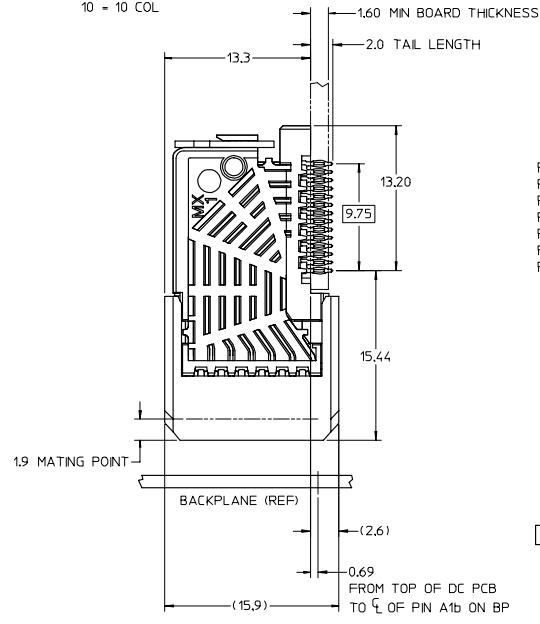
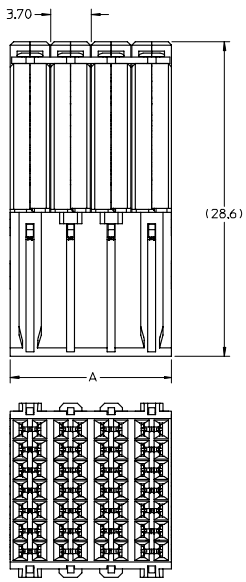


76020-0**

MODULE TYPE -- TAIL PLATING TYPE
 UNGUIDED -- TIN/LEAD = 0
 UNGUIDED -- TIN ONLY = 1

POLARIZATION KEY ORIENTATION
 0 = NO KEY

OF COLUMNS
 04 = 4 COL
 06 = 6 COL
 10 = 10 COL



DAUGHTERCARD HOLE PATTERN
(CONNECTOR SIDE)

- NOTES:
- MATERIALS: HOUSING - LIQUID CRYSTAL POLYMER (LCP)
GLASS-FILLED, UL 94V-0
TERMINALS - HIGH PERFORMANCE COPPER ALLOY
 - FINISH: 30µIN MIN. GOLD IN CONTACT AREA
SELECTIVE TIN/LEAD (-0**) OR SELECTIVE TIN (-1**) ON PCB TAILS, NICKEL OVERALL.
 - REFER TO MOLEX PRODUCT SPEC PS-75710-999 FOR PERFORMANCE SPECIFICATIONS.
 - PRODUCT IS PACKAGED PER PK-70873-607.
 - THIS PART CONFORMS TO CLASS B REQUIREMENTS OF COSMETIC SPEC PS-45499-002.

INITIAL RELEASE EC NO. UCP2007-2344 DRWNSPISZCZOR 2007/03/19 CHKCD: 2007/03/19 APPR: JLAURX 2007/03/19	QUALITY SYMBOLS ▽=0 ▽=0	GENERAL TOLERANCES (UNLESS SPECIFIED)		DIMENSION STYLE MM ONLY		SCALE 4:1	DESIGN UNITS METRIC	THIRD ANGLE PROJECTION	
		4 PLACES ± --- ± ---	3 PLACES ± --- ± ---	2 PLACES ± 0.13 ± ---	1 PLACE ± 0.25 ± ---	ANGULAR ±1/2°	DRAWN BY MCARRANZA	DATE 3/20/06	TITLE I-TRAC DAUGHTERCARD 7 ROW UNGUIDED SIGNAL MODULE
		DRAFT WHERE APPLICABLE MUST REMAIN WITHIN DIMENSIONS			SEE CHART		MATERIAL NO. SD-76020-001	DOCUMENT NO. SD-76020-001	SHEET NO. 1 OF 1
		THIS DRAWING CONTAINS INFORMATION THAT IS PROPRIETARY TO MOLEX INCORPORATED AND SHOULD NOT BE USED WITHOUT WRITTEN PERMISSION							