

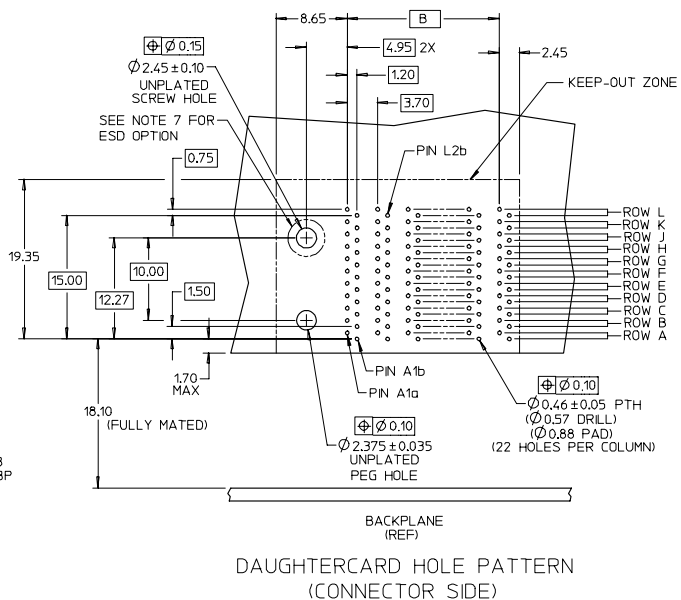
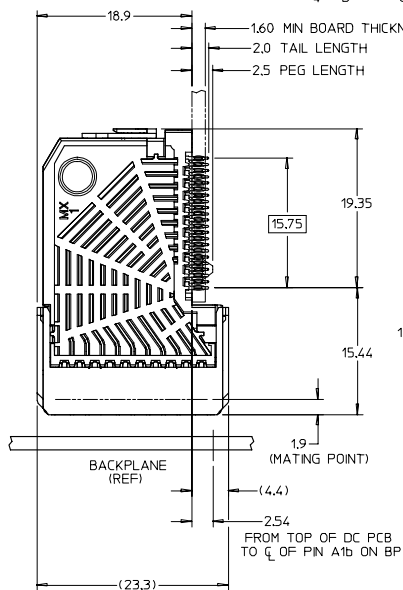
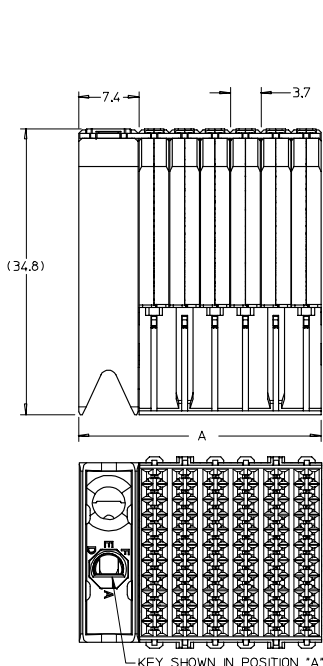
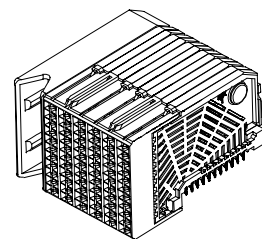
MATERIAL NUMBER	# OF COLUMNS	DIM 'A' MAX	DIM 'B'
75710-***5	5	25.90	14.80
75710-***6	6	29.60	18.50
75710-***8	8	37.00	25.90
75710-***0	10	44.40	33.30

75710-***

MODULE TYPE -- TAIL PLATING TYPE
 GUIDE LEFT -- TIN/LEAD = 2
 GUIDE LEFT -- TIN ONLY = 3

POLARIZATION KEY ORIENTATION
 0 = NO KEY
 1 = A 5 = E
 2 = B 6 = F
 3 = C 7 = G
 4 = D 8 = H

OF COLUMNS
 05 = 5 COL
 06 = 6 COL
 08 = 8 COL
 10 = 10 COL
 55 = 5 COL W/ESD
 56 = 6 COL W/ESD
 58 = 8 COL W/ESD
 50 = 10 COL W/ESD



- NOTES:
1. MATERIALS: HOUSING - LIQUID CRYSTAL POLYMER (LCP) GLASS-FILLED, UL94V-0
TERMINALS - HIGH PERFORMANCE COPPER ALLOY
 2. FINISH: 30µIN MIN GOLD IN CONTACT AREA, SELECTIVE TIN/LEAD (-2***)
OR SELECTIVE TIN (-3***) ON PCB TAILS, NICKEL OVERALL.
 3. REFER TO MOLEX PRODUCT SPECIFICATION PS-75710-999 FOR PERFORMANCE SPECS.
 4. PRODUCT IS PACKAGED PER PK-70873-609.
 5. THIS PART CONFORMS TO CLASS B REQUIREMENTS OF COSMETIC SPEC PS-45499-002.
 6. GUIDED PARTS TO BE SHIPPED WITH 2-32 TYPE AB SELF-TAPPING SCREW P/N 73726-0000.
 7. FOR GROUNDED GUIDE MODULES USE DIA 2.45+/-0.10 (PTH), DIA 2.58 (DRILL), AND DIA 4.50 (PAD).

REV	DESCRIPTION	QUALITY SYMBOLS	GENERAL TOLERANCES (UNLESS SPECIFIED)		DIMENSION STYLE		SCALE	DESIGN UNITS	THIRD ANGLE PROJECTION
			mm	INCH	MM ONLY	DATE			
ADD ESD OPTION	EC NO: UCP2007-2348	0	4 PLACES ±	±	DRAWN BY	DATE	3:1	METRIC	THIRD ANGLE PROJECTION
DRW:BPISZCZOR	2007/03/19	0	3 PLACES ±	±	JLAURX	2007/03/06			
CHK: JLAURX	2007/03/19	0	2 PLACES ±	±	CHECKED BY	DATE			
APP: JLAURX	2007/03/19	0	1 PLACE ±	±	BPISZCZOR	2007/03/06			
			ANGULAR ±1/2°		APPROVED BY	DATE			
					CBIXLER	2007/03/06			
			DRAFT WHERE APPLICABLE MUST REMAIN WITHIN DIMENSIONS		MATERIAL NO.	DOCUMENT NO.			
					SEE CHART	SD-75710-002			
					SIZE				
					C				

I-TRAC DAUGHTERCARD
 11 ROW SIGNAL MODULE
 GUIDE LEFT SALES DWG
 MOLEX INCORPORATED