

MATERIAL NUMBER	# OF COLUMNS	DIM 'A' MAX	DIM 'B'
75710-***5	5	25.90	14.80
75710-***6	6	29.60	18.50
75710-***8	8	37.00	25.90
75710-***0	10	44.40	33.30

75710-***

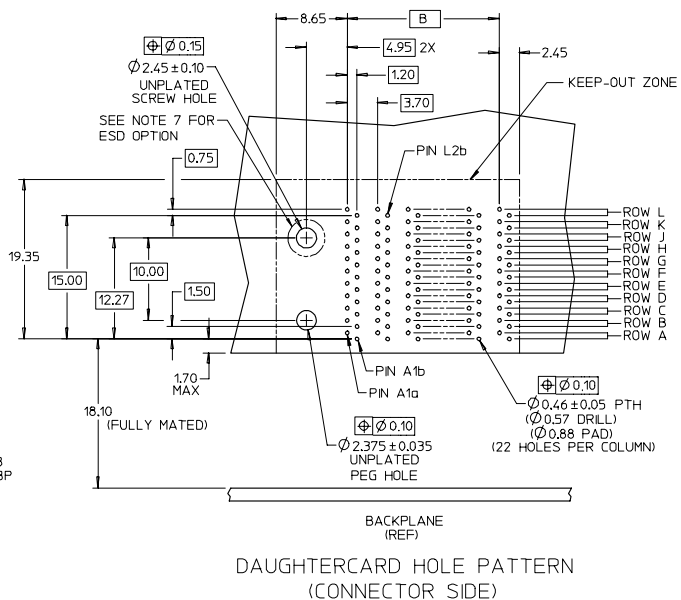
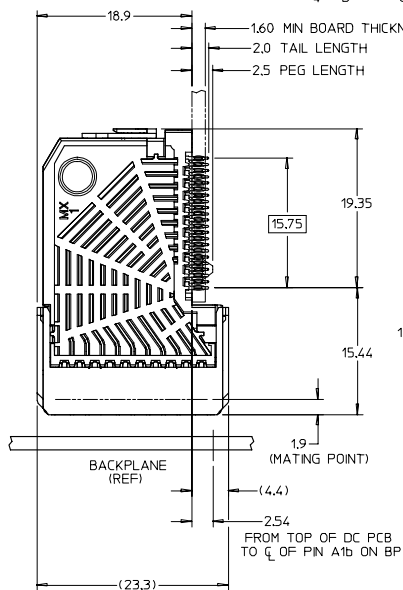
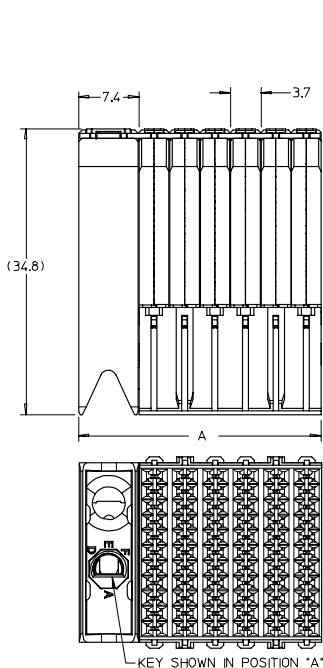
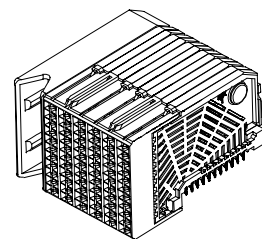
MODULE TYPE -- TAIL PLATING TYPE
 GUIDE LEFT -- TIN/LEAD = 2
 GUIDE LEFT -- TIN ONLY = 3

POLARIZATION KEY ORIENTATION

0 = NO KEY	
1 = A	5 = E
2 = B	6 = F
3 = C	7 = G
4 = D	8 = H

OF COLUMNS

05 = 5 COL
06 = 6 COL
08 = 8 COL
10 = 10 COL
55 = 5 COL W/ESD
56 = 6 COL W/ESD
58 = 8 COL W/ESD
50 = 10 COL W/ESD



- NOTES:
1. MATERIALS: HOUSING - LIQUID CRYSTAL POLYMER (LCP) GLASS-FILLED, UL94V-0
TERMINALS - HIGH PERFORMANCE COPPER ALLOY
 2. FINISH: 30µIN MIN GOLD IN CONTACT AREA, SELECTIVE TIN/LEAD (-2***)
OR SELECTIVE TIN (-3***) ON PCB TAILS, NICKEL OVERALL.
 3. REFER TO MOLEX PRODUCT SPECIFICATION PS-75710-999 FOR PERFORMANCE SPECS.
 4. PRODUCT IS PACKAGED PER PK-70873-609.
 5. THIS PART CONFORMS TO CLASS B REQUIREMENTS OF COSMETIC SPEC PS-45499-002.
 6. GUIDED PARTS TO BE SHIPPED WITH 2-32 TYPE AB SELF-TAPPING SCREW P/N 73726-0000.
 7. FOR GROUNDED GUIDE MODULES USE DIA 2.45+/-0.10 (PTH), DIA 2.58 (DRILL), AND DIA 4.50 (PAD).

REV	DESCRIPTION	QUALITY SYMBOLS	GENERAL TOLERANCES (UNLESS SPECIFIED)		DIMENSION STYLE		SCALE	DESIGN UNITS	THIRD ANGLE PROJECTION
			mm	INCH	MM ONLY	DATE			
ADD ESD OPTION	FROM TOP OF DC PCB TO CL OF PIN A1b ON BP	▽=0	4 PLACES ±	±	DRAWN BY	DATE	3:1	METRIC	THIRD ANGLE PROJECTION
EC NO: UCP2007-2348		▽=0	3 PLACES ±	±	JLAURX	2007/03/06			
DRWNSPISZCZOR 2007/03/19			2 PLACES ±	±	CHECKED BY	DATE			
CHKD: JLAURX 2007/03/19			1 PLACE ±	±	BPISZCZOR	2007/03/06			
APPR: JLAURX 2007/03/19			ANGULAR ±1/2°		APPROVED BY	DATE			
					CBIXLER	2007/03/06			
			DRAFT WHERE APPLICABLE MUST REMAIN WITHIN DIMENSIONS		MATERIAL NO.	SEE CHART			
					DOCUMENT NO.	SD-75710-002			
					SHEET NO.	1 OF 1			

tb_frame_C_P_AM_T
Rev. D 2004/06/28