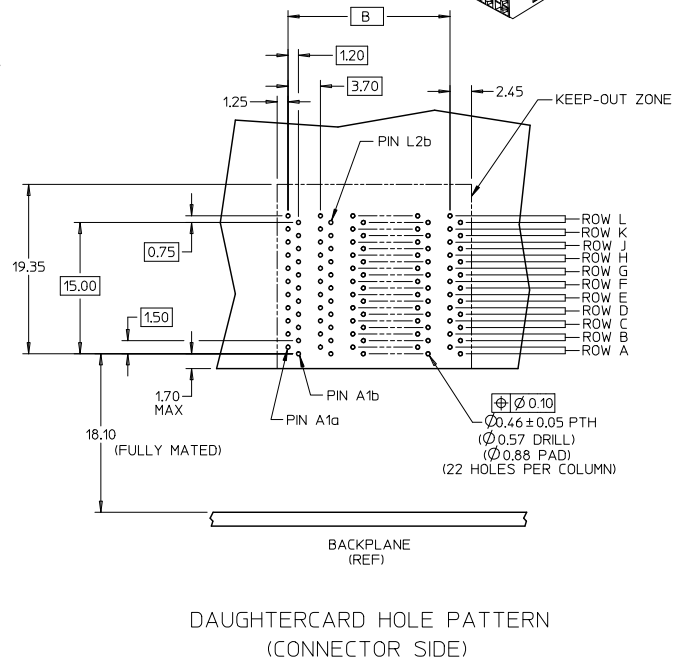
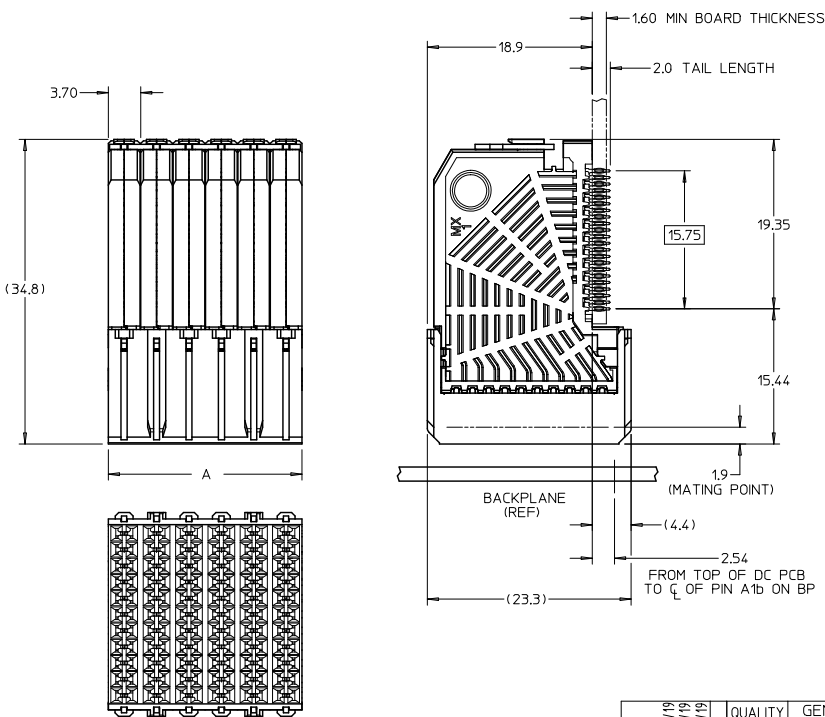
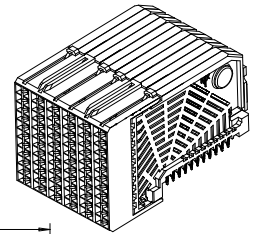


13 12 11 10 9 8 7 6 5 4 3 2 1

MATERIAL NUMBER	# OF COLUMNS	DIM 'A' MAX	DIM 'B'
75710-005	5	18.50	14.80
75710-006	6	22.20	18.50
75710-008	8	29.60	25.90
75710-010	10	37.00	33.30

75710-0**

MODULE TYPE -- TAIL PLATING TYPE # OF COLUMNS
 UNGUIDED -- TIN/LEAD = 0 05 = 5 COL
 UNGUIDED -- TIN ONLY = 1 06 = 6 COL
 08 = 8 COL
 10 = 10 COL



- NOTES:
1. MATERIALS: HOUSING - LIQUID CRYSTAL POLYMER (LCP) GLASS-FILLED, UL94V-0
 TERMINALS - HIGH PERFORMANCE COPPER ALLOY
 2. FINISH: 30 µIN MIN GOLD IN CONTACT AREA, SELECTIVE TIN/LEAD (-0***)
 OR SELECTIVE TIN (-1***) ON PCB TAILS, NICKEL OVERALL.
 3. REFER TO MOLEX PRODUCT SPEC PS-75710-999 FOR PERFORMANCE SPECIFICATIONS.
 4. PRODUCT IS PACKAGED PER PK-70873-609.
 5. THIS PART CONFORMS TO CLASS B REQUIREMENTS OF COSMETIC SPEC PS-45499-002.

REVISE NOTES	QUALITY SYMBOLS	GENERAL TOLERANCES (UNLESS SPECIFIED)		DIMENSION STYLE		SCALE	DESIGN UNITS	THIRD ANGLE PROJECTION
		mm	INCH	MM ONLY	DATE	3:1	METRIC	
EC NO. UCP2007-2348 DRAWN BY: JLAURX CHECKED BY: JLAURX APPR: JLAURX DATE: 2007/03/19 DATE: 2007/03/19	▽=0 ▽=0	4 PLACES	±---	±---	DRAWN BY: JLAURX	DATE: 09/01/2005	TITLE: I-TRAC DAUGHTERCARD 11 ROW SIGNAL MODULE UNGUIDED SALES DWG	MOLEX INCORPORATED
		3 PLACES	±---	±---	CHECKED BY: NMARTIN	DATE: 09/01/2005		
		2 PLACES	±0.13	±---	APPROVED BY: CBIXLER	DATE: 09/01/2005		
		1 PLACE	±0.25	±---	MATERIAL NO.:	DOCUMENT NO.:		
DRAFT WHERE APPLICABLE MUST REMAIN WITHIN DIMENSIONS		SEE CHART		SD-75710-001		SHEET NO. 1 OF 1		
THIS DRAWING CONTAINS INFORMATION THAT IS PROPRIETARY TO MOLEX INCORPORATED AND SHOULD NOT BE USED WITHOUT WRITTEN PERMISSION								

12 11 10 9 8 7 6 5 4 3 2 1