

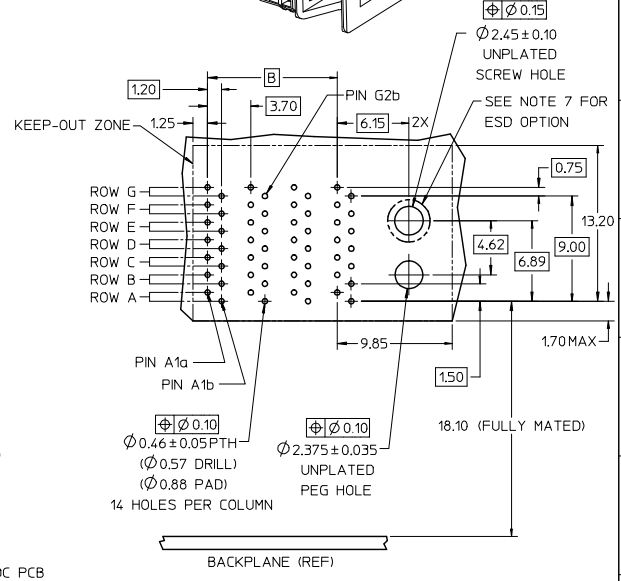
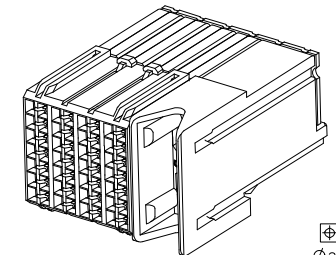
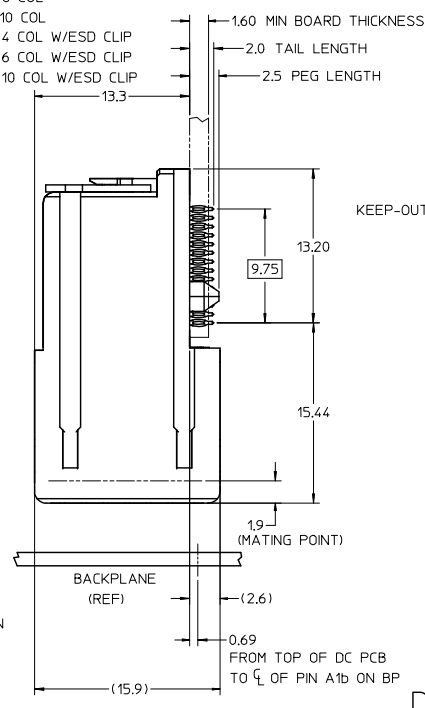
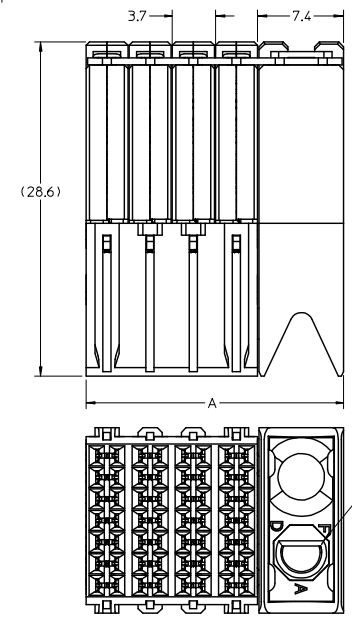
13	12	11	10	9	8	7	6	5	4	3	2	1
MATERIAL NUMBER		# OF COLUMNS	DIM. 'A' MAX.		DIM. 'B'							
76020-**04		4	22.20		11.10							
76020-**06		6	29.60		18.50							
76020-**10		10	44.40		33.30							

76020-****

MODULE TYPE -- TAIL PLATING TYPE
GUIDE RIGHT -- TIN/LEAD = 4
GUIDE RIGHT -- TIN ONLY = 5

POLARIZATION KEY ORIENTATION
0 = NO KEY
1 = A
2 = B
3 = C
4 = D
5 = E
6 = F
7 = G
8 = H

OF COLUMNS
04 = 4 COL
06 = 6 COL
10 = 10 COL
54 = 4 COL W/ESD CLIP
56 = 6 COL W/ESD CLIP
50 = 10 COL W/ESD CLIP



DAUGHTERCARD HOLE PATTERN
(CONNECTOR SIDE)

- NOTES:
1. MATERIALS: HOUSING - LIQUID CRYSTAL POLYMER (LCP) GLASS-FILLED, UL 94V-0
TERMINALS - HIGH PERFORMANCE COPPER ALLOY
 2. FINISH: 30µIN MIN. GOLD IN CONTACT AREA
SELECTIVE TIN/LEAD (-4****) OR SELECTIVE TIN (-5****)
ON PCB TAILS, NICKEL OVERALL.
 3. REFER TO MOLEX PRODUCT SPECIFICATION PS-75710-999 FOR PERFORMANCE SPECS.
 4. PRODUCT IS PACKAGED PER PK-70873-607.
 5. THIS PART CONFORMS TO CLASS B REQUIREMENTS OF COSMETIC SPEC PS-45499-002.
 6. GUIDED PARTS TO BE SHIPPED WITH 2-32 TYPE AB
SELF-TAPPING SCREW P/N 73726-0005.
AND DIA 4.50 (PAD).
 7. FOR GROUNDED GUIDE MODULES USE DIA 2.45+/-0.10 (PTH), DIA 2.58 (DRILL),
AND DIA 4.50 (PAD).

ADD ESD OPTION EC NO. UCP2008-2813 DRAWN: MCARRANZA 2008/09/04 CHKD: JLAURX 2008/09/10 APPR: JLAURX 2008/09/11	QUALITY SYMBOLS =0 =0	GENERAL TOLERANCES (UNLESS SPECIFIED)		DIMENSION STYLE MM ONLY		SCALE 4:1	DESIGN UNITS METRIC	THIRD ANGLE PROJECTION
		4 PLACES ± 0.13	3 PLACES ± 0.25	1 PLACE ± 0.25	ANGULAR ± 1/2°	DRAWN BY MCARRANZA	DATE 3/20/06	TITLE I-TRAC DAUGHTERCARD 7 ROW GUIDE RIGHT SIGNAL MODULE
DRAFT WHERE APPLICABLE MUST REMAIN WITHIN DIMENSIONS		SEE CHART		MATERIAL NO. SD-76020-004		DOCUMENT NO. SD-76020-004		SHEET NO. 1 OF 1
THIS DRAWING CONTAINS INFORMATION THAT IS PROPRIETARY TO MOLEX INCORPORATED AND SHOULD NOT BE USED WITHOUT WRITTEN PERMISSION								