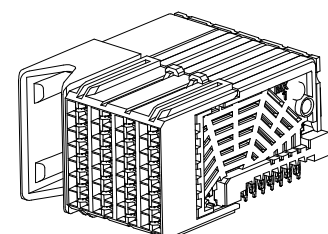


13	12	11	10	9	8	7	6	5	4	3	2	1	
MATERIAL NUMBER		# OF COLUMNS	DIM. 'A' MAX.		DIM. 'B'								
76020-**04		4	22.20		11.10								
76020-**06		6	29.60		18.50								
76020-**10		10	44.40		33.30								

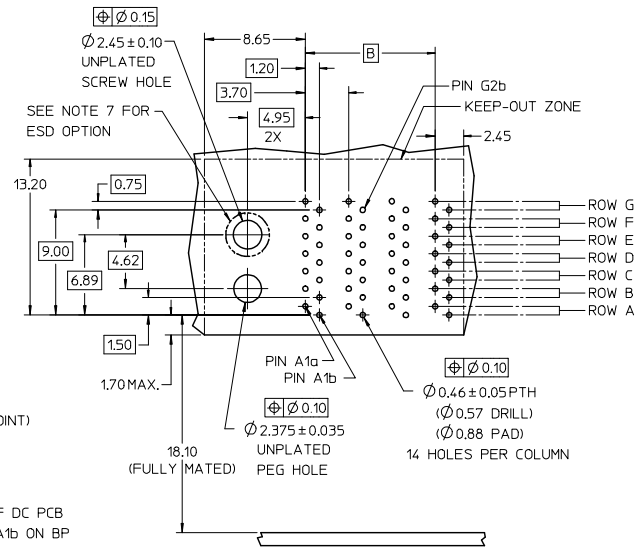
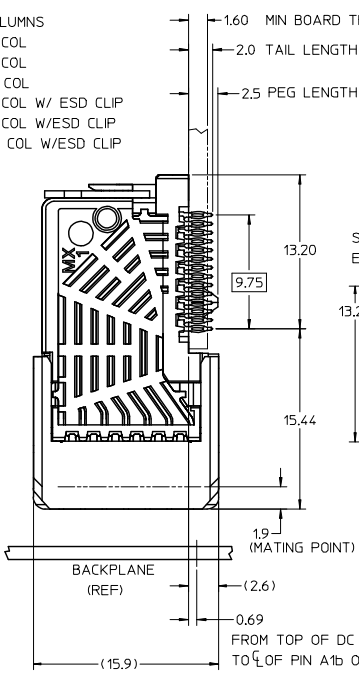
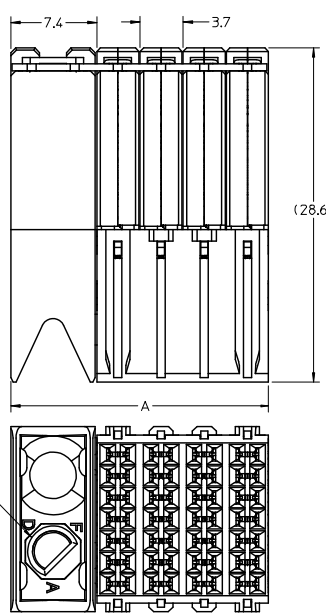


76020-****

MODULE TYPE -- TAIL PLATING TYPE
 GUIDE LEFT -- TIN/LEAD = 2
 GUIDE LEFT -- TIN ONLY = 3

POLARIZATION KEY ORIENTATION
 0 = NO KEY
 1 = A
 2 = B
 3 = C
 4 = D
 5 = E
 6 = F
 7 = G
 8 = H

OF COLUMNS
 04 = 4 COL
 06 = 6 COL
 10 = 10 COL
 54 = 4 COL W/ ESD CLIP
 56 = 6 COL W/ESD CLIP
 50 = 10 COL W/ESD CLIP



DAUGHTERCARD HOLE PATTERN
(CONNECTOR SIDE)

- NOTES:
1. MATERIALS: HOUSING - LIQUID CRYSTAL POLYMER (LCP) GLASS-FILLED, UL 94V-0
TERMINALS - HIGH PERFORMANCE COPPER ALLOY
 2. FINISH: 30µIN MIN. GOLD IN CONTACT AREA
SELECTIVE TIN/LEAD (-2***) OR SELECTIVE TIN (-3***)
ON PCB TAILS, NICKEL OVERALL.
 3. REFER TO MOLEX PRODUCT SPECIFICATION PS-75710-999 FOR PERFORMANCE SPECS.
 4. PRODUCT IS PACKAGED PER PK-70873-607.
 5. THIS PART CONFORMS TO CLASS B REQUIREMENTS OF COSMETIC SPEC PS-45499-002.
 6. GUIDED PARTS TO BE SHIPPED WITH 2-32 TYPE AB
SELF-TAPPING SCREW P/N 73726-0005.
 7. FOR GROUNDED GUIDE MODULES USE DIA 2.45+/-0.10 (PTH), DIA 2.58 (DRILL),
AND DIA 4.50 (PAD).

ADD ESD OPTION EC NO. UEP2008-2813 DRAWN BY: MCARRANZA CHKD: JLAURX APPR: JLAURX 2008/09/04 2008/09/10 2008/09/11	QUALITY SYMBOLS =0 =0	GENERAL TOLERANCES (UNLESS SPECIFIED)		DIMENSION STYLE		SCALE	DESIGN UNITS	THIRD ANGLE
		4 PLACES ±--- ±---	3 PLACES ±--- ±---	2 PLACES ±0.13 ±---	1 PLACE ±0.25 ±---	MM ONLY	4:1	METRIC
DRAWN BY: MCARRANZA DATE: 3/20/06		CHECKED BY: BPISZCZOR DATE: 2007/03/07		APPROVED BY: JLAURX DATE: 2007/03/07		TITLE: I-TRAC DAUGHTERCARD 7 ROW GUIDE LEFT SIGNAL MODULE		
DRAFT WHERE APPLICABLE MUST REMAIN WITHIN DIMENSIONS		SEE CHART		MATERIAL NO. SD-76020-002		DOCUMENT NO. SD-76020-002		SHEET NO. 1 OF 1
THIS DRAWING CONTAINS INFORMATION THAT IS PROPRIETARY TO MOLEX INCORPORATED AND SHOULD NOT BE USED WITHOUT WRITTEN PERMISSION								