

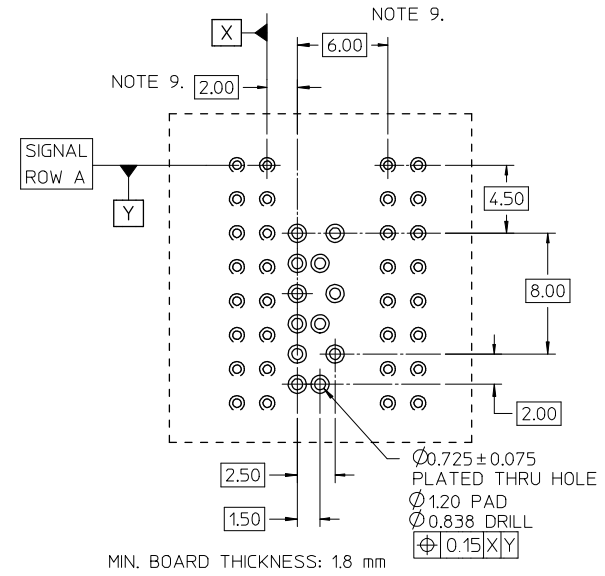
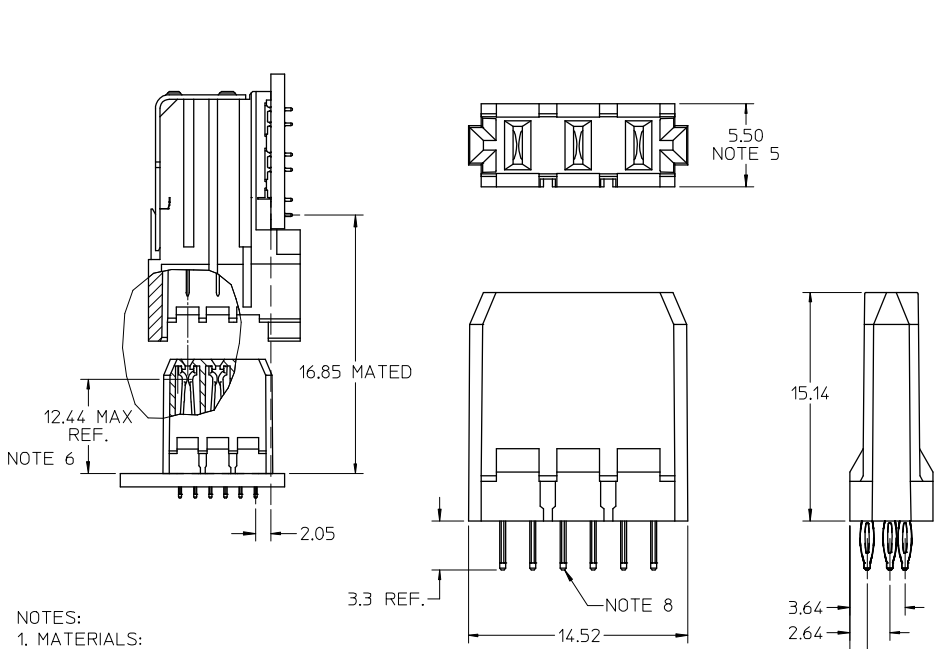
NOTES:

- MATERIALS:
HOUSING - LIQUID CRYSTAL POLYMER (LCP)
UL94 V-0 RATED, COLOR: BLACK
TERMINAL - COPPER ALLOY
- FINISH: 30 MICROINCH MIN GOLD ON MATING SURFACE;
TIN/LEAD ON TAILS; NICKEL OVERALL.
- FINISH: 50 MICROINCH MIN GOLD ON MATING SURFACE;
TIN/LEAD ON TAILS; NICKEL OVERALL.
- THIS PART CONFORMS TO PRODUCT SPECIFICATION
PS-74031-999.
- USE 6.00 mm NOMINAL FOR BACKPLANE LAYOUT.
- DIMENSION MEASURED FROM BOTTOM OF HOUSING.
- PACKED PER PK-70873-0876.
- CONTACT NOT PRESENT AT POSITION ON
-84** ASSEMBLIES.

MIN. BOARD THICKNESS: 1.8 mm

ASSEMBLY #	CONTACT PLATING	OPEN LOC.	# CONTACTS
74029-8000	SEE NOTE 2	N/A	3
74029-8050	SEE NOTE 3	N/A	
74029-8400	SEE NOTE 2	POS. 2	
74029-8450	SEE NOTE 3	POS. 2	2
74029-8401	SEE NOTE 2	POS. 1	
74029-8451	SEE NOTE 3	POS. 1	
74029-8403	SEE NOTE 2	POS. 3	
74029-8453	SEE NOTE 3	POS. 3	

REDRAWN IEC NO: UCP2008-1963 DRWN: JB INGHAM 2008/02/18 CHKD: JB INGHAM 2008/02/18 APPR: JLAURX 2008/02/18	QUALITY SYMBOLS	GENERAL TOLERANCES (UNLESS SPECIFIED)	DIMENSION STYLE	SCALE	DESIGN UNITS	THIRD ANGLE PROJECTION
	▽=0 ▽=0	mm INCH 4 PLACES ± --- ± --- 3 PLACES ± --- ± --- 2 PLACES ± 0.15 ± --- 1 PLACE ± 0.25 ± --- ANGULAR ± ---°	MM ONLY	NONE	METRIC	
		DRAFT WHERE APPLICABLE MUST REMAIN WITHIN DIMENSIONS	SEE CHART	TITLE VHDM POWER 8 ROW BACKPLANE SALES ASSEMBLY		
				MOLEX INCORPORATED DOCUMENT NO. SD-74029-002 SHEET NO. 1 OF 1		



- NOTES:
1. MATERIALS:
HOUSING - LIQUID CRYSTAL POLYMER (LCP)
UL94 V-0 RATED, COLOR: BLACK
TERMINAL - COPPER ALLOY
 2. FINISH: 30 microINCH MIN GOLD ON MATING SURFACE;
TIN/LEAD ON TAILS, NICKEL OVERALL.
 3. FINISH: 50 microINCH MIN GOLD ON MATING SURFACE;
TIN/LEAD ON TAILS, NICKEL OVERALL.
 4. THIS PART CONFORMS TO PRODUCT SPECIFICATION
PS-74031-999.
 5. USE 6.00 mm NOMINAL FOR BACKPLANE LAYOUT.
 6. DIMENSION MEASURED FROM BOTTOM OF HOUSING.
 7. PACKED PER PK-70873-0876.
 8. MIDDLE CONTACT NOT PRESENT ON -84** ASSEMBLIES.
 9. THIS DIMENSION TO BE MULTIPLE OF 2.00 mm AS REQUIRED.

ASSEMBLY #	CONTACT PLATING	# CONTACTS
74029-8000	SEE NOTE 2	3
74029-8050	SEE NOTE 3	3
74029-8400	SEE NOTE 2	2
74029-8450	SEE NOTE 3	2

REVISED (MINOR) EC NO: UCP2008-1963 DRAWN: JBINGHAM 2008/02/18 CHKD: JLAURX 2008/02/18 APPR: JLAURX 2008/02/18 DESCRIPTION A1	QUALITY SYMBOLS	GENERAL TOLERANCES (UNLESS SPECIFIED)	SCALE 4:1	DESIGN UNITS METRIC	THIRD ANGLE PROJECTION	REVISE ON CAD ONLY	
	▽.0	mm INCH	DIMENSION STYLE MM ONLY		TITLE		
	▽.0	4 PLACES ± --- ± --- 3 PLACES ± --- ± --- 2 PLACES ± 0.15 ± --- 1 PLACE ± 0.25 ± ---	DRAWN BY ELO	DATE 2001/10/04	HSD POWER 8 ROW BACKPLANE SALES ASSEMBLY		
		ANGULAR ± 5 °	CHECKED BY GORSKI	DATE 2001/10/05	MOLEX MOLEX INCORPORATED		
	DRAFT WHERE APPLICABLE	MUST REMAIN WITHIN DIMENSIONS	APPROVED BY BIXLER	DATE 2001/10/08	MATERIAL NO. SEE CHART	DOCUMENT NO. SD-74029-009	
			THIS DRAWING CONTAINS INFORMATION THAT IS PROPRIETARY TO MOLEX INCORPORATED AND SHOULD NOT BE USED WITHOUT WRITTEN PERMISSION				