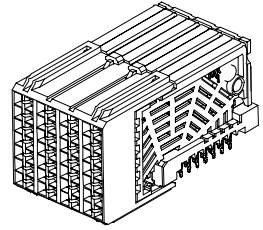


13	12	11	10	9	8	7	6	5	4	3	2	1	
MATERIAL NUMBER		# OF COLUMNS	DIM. "A" MAX.		DIM. "B"								
76020-004		4	14.80		11.10								
76020-006		6	22.20		18.50								
76020-010		10	37.00		33.30								

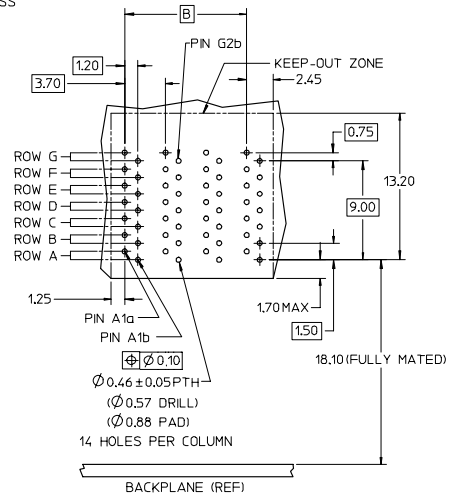
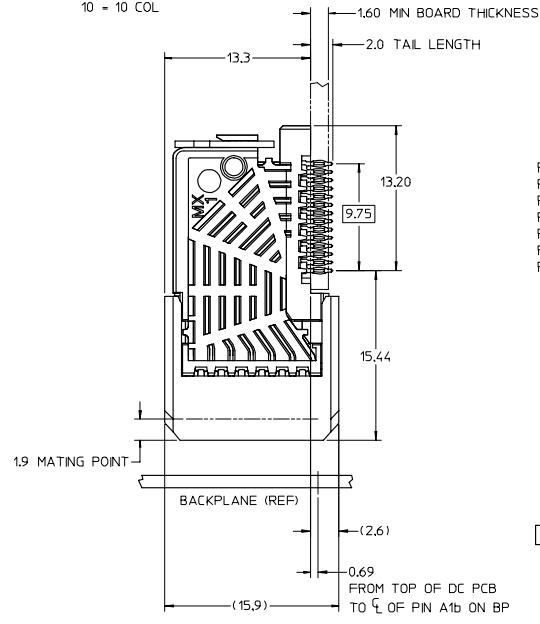
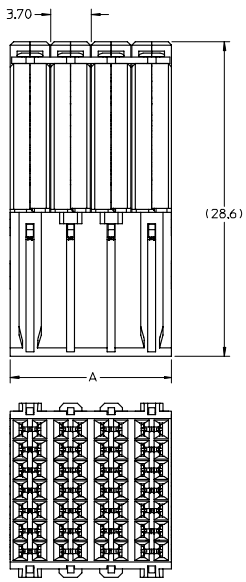


76020-0**

MODULE TYPE -- TAIL PLATING TYPE
 UNGUIDED -- TIN/LEAD = 0
 UNGUIDED -- TIN ONLY = 1

POLARIZATION KEY ORIENTATION
 0 = NO KEY

OF COLUMNS
 04 = 4 COL
 06 = 6 COL
 10 = 10 COL



DAUGHTERCARD HOLE PATTERN
(CONNECTOR SIDE)

- NOTES:
- MATERIALS: HOUSING - LIQUID CRYSTAL POLYMER (LCP)
GLASS-FILLED, UL 94V-0
TERMINALS - HIGH PERFORMANCE COPPER ALLOY
 - FINISH: 30µIN MIN. GOLD IN CONTACT AREA
SELECTIVE TIN/LEAD (-0**) OR SELECTIVE TIN (-1**) ON PCB TAILS, NICKEL OVERALL.
 - REFER TO MOLEX PRODUCT SPEC PS-75710-999 FOR PERFORMANCE SPECIFICATIONS.
 - PRODUCT IS PACKAGED PER PK-70873-607.
 - THIS PART CONFORMS TO CLASS B REQUIREMENTS OF COSMETIC SPEC PS-45499-002.

INITIAL RELEASE EC NO. UCP2007-2344 DRAWN BY: SZCZOR 2007/03/19 CHKD: JLAURX 2007/03/19 APPR: JLAURX 2007/03/19	QUALITY SYMBOLS	GENERAL TOLERANCES (UNLESS SPECIFIED)	DIMENSION STYLE	SCALE	DESIGN UNITS	THIRD ANGLE PROJECTION
	▽=0	mm INCH	MM ONLY	4:1	METRIC	
	▽=0	4 PLACES ± --- ± ---	DRAWN BY DATE			
		3 PLACES ± --- ± ---	MCARRANZA 3/20/06	TITLE		
	2 PLACES ± 0.13 ± ---	CHECKED BY DATE	I-TRAC DAUGHTERCARD			
	1 PLACE ± 0.25 ± ---	JLAURX 3/21/06	7 ROW UNGUIDED SIGNAL MODULE			
	ANGULAR ±1/2°	APPROVED BY DATE	MOLEX INCORPORATED			
		JLAURX 3/21/06				
	DRAFT WHERE APPLICABLE MUST REMAIN WITHIN DIMENSIONS	MATERIAL NO. SEE CHART	DOCUMENT NO. SD-76020-001	SHEET NO. 1 OF 1		
		SIZE C	THIS DRAWING CONTAINS INFORMATION THAT IS PROPRIETARY TO MOLEX INCORPORATED AND SHOULD NOT BE USED WITHOUT WRITTEN PERMISSION			

tb_frame_C_P_AM_T
Rev. D 2004/06/28