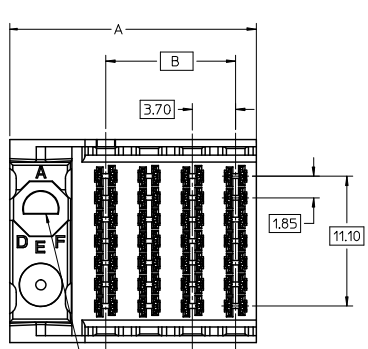
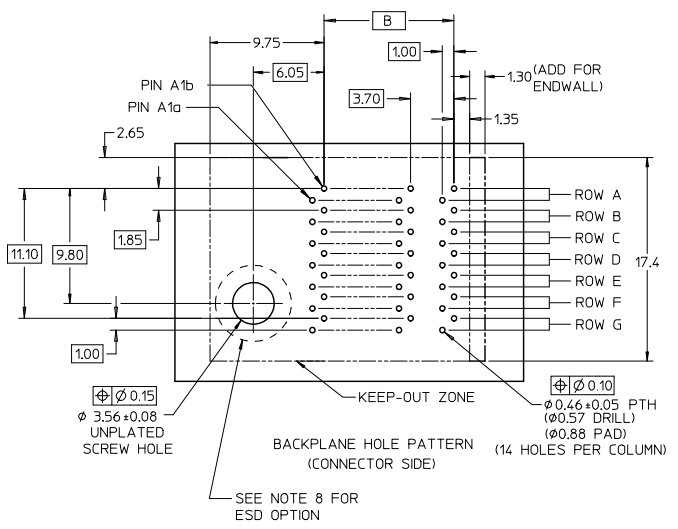
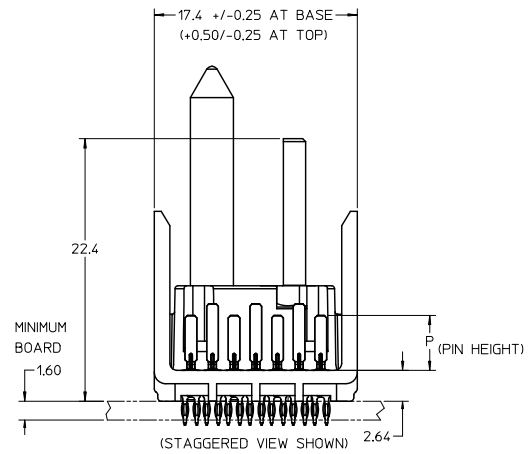
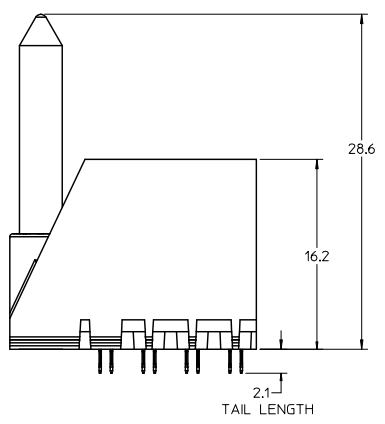


13 12 11 10 9 8 7 6 5 4 3 2 1

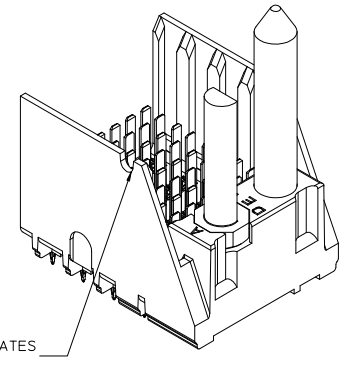


KEY SHOWN IN POSITION 'E'



BACKPLANE HOLE PATTERN (CONNECTOR SIDE) (14 HOLES PER COLUMN)

SEE NOTE 8 FOR ESD OPTION



NOTCH DESIGNATES ROW A

| | | | | | | | | | |
|--|-------------------------------|---------------------------------------|--------------------|---|--------------------|---|------------------------|------------------------------|---------------------|
| REVISE SHEET FOUR EC NO. ICP2008-2507 DRAWN BY: BPI SZCZOR 2009/04/16 CHECKED BY: JLAURX 2009/04/17 APPR: JB INGRAM 2009/04/17 | QUALITY SYMBOLS ▽=0 ▽=0 | GENERAL TOLERANCES (UNLESS SPECIFIED) | | DIMENSION STYLE MM ONLY | | SCALE 4:1 | DESIGN UNITS METRIC | THIRD ANGLE PROJECTION | |
| | | 4 PLACES ±--- ±--- | 3 PLACES ±--- ±--- | DRAWN BY BPI SZCZOR | DATE 3/28/06 | TITLE I-TRAC BACKPLANE 7 ROW GUIDE LEFT ASSEMBLY SALES DRAWING | | | |
| | | 2 PLACES ±0.13 ±--- | 1 PLACE ±0.25 ±--- | CHECKED BY JLAURX | DATE 2007/02/06 | APPROVED BY CBIXLER | | | |
| | | ANGULAR ±1/2° | | MATERIAL NO. SEE CHART | DATE 2007/02/06 | MOLEX INCORPORATED | | DOCUMENT NO. SD-76015-002 | SHEET NO. 1 OF 4 |
| DRAFT WHERE APPLICABLE MUST REMAIN WITHIN DIMENSIONS | | SIZE C | | THIS DRAWING CONTAINS INFORMATION THAT IS PROPRIETARY TO MOLEX INCORPORATED AND SHOULD NOT BE USED WITHOUT WRITTEN PERMISSION | | | | | |

12 11 10 9 8 7 6 5 4 3 2 1

13 12 11 10 9 8 7 6 5 4 3 2 1

76015-****

MODULE TYPE -- TAIL PLATING TYPE
 GUIDE LEFT -- TIN/LEAD = 2
 GUIDE LEFT -- TIN ONLY = 3
 GUIDE LEFT W/END -- TIN/LEAD = 6
 GUIDE LEFT W/END -- TIN ONLY = 7

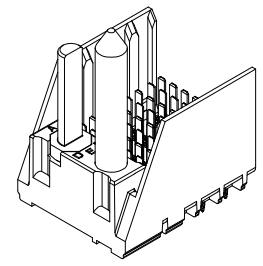
PIN LENGTH (P)
 2 = 3.90
 3 = 4.70
 4 = 5.70
 5 = 4.70 & 5.70 STAGGERED

KEY ORIENTATION
 0 = NO KEY
 1 = A
 2 = B
 3 = C
 4 = D
 5 = E
 6 = F
 7 = G
 8 = H

OF COLUMNS
 4 = 4 COL
 6 = 6 COL
 1 = 10 COL

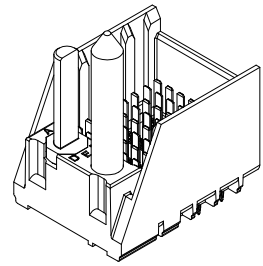
| MATERIAL NUMBER | # OF COLUMNS | DIM 'A' | DIM 'B' |
|-----------------|--------------|---------|---------|
| 76015-4** | 4 | 21.1 | 11.10 |
| 76015-6** | 6 | 28.5 | 18.50 |
| 76015-1** | 10 | 43.3 | 33.30 |

GUIDE LEFT STYLE



| MATERIAL NUMBER | # OF COLUMNS | DIM 'A' | DIM 'B' |
|-----------------|--------------|---------|---------|
| 76015-4** | 4 | 22.4 | 11.10 |
| 76015-6** | 6 | 29.8 | 18.50 |
| 76015-1** | 10 | 44.6 | 33.30 |

GUIDE LEFT W/END STYLE

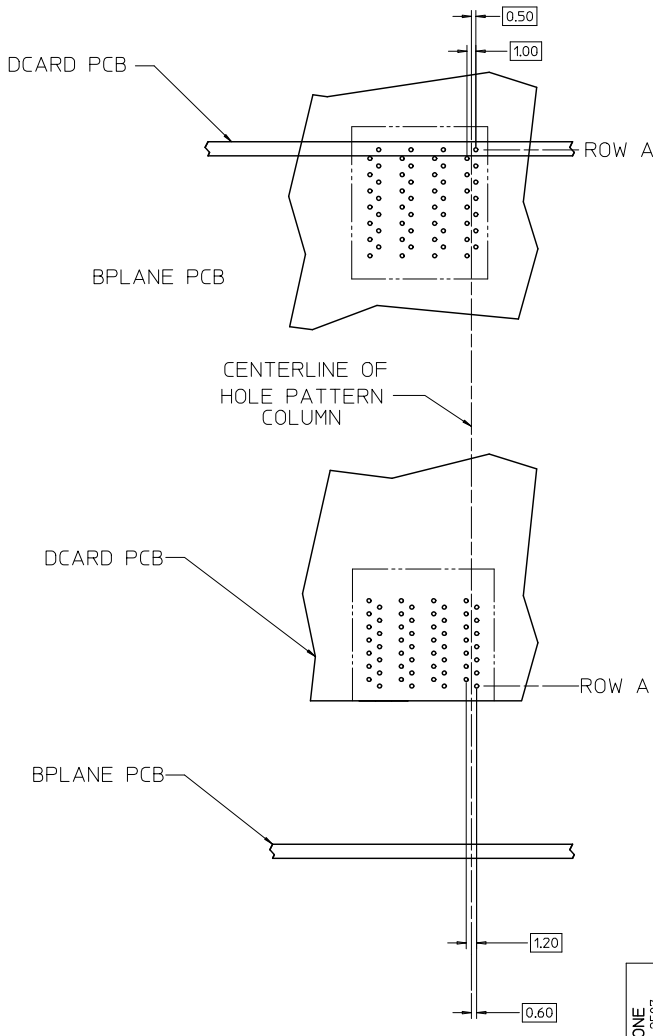


- NOTES:
- MATERIALS: HOUSING - LIQUID CRYSTAL POLYMER (LCP)
GLASS-FILLED, UL94V-0
TERMINALS - HIGH PERFORMANCE COPPER ALLOY
 - FINISH: 30µIN MIN. GOLD IN CONTACT AREA.
SELECTIVE TIN/LEAD OR SELECTIVE TIN
ON PCB TAILS, NICKEL OVERALL.
 - REFER TO MOLEX PRODUCT SPECIFICATION PS-75710-999
FOR PERFORMANCE SPECIFICATIONS.
 - FOR MIXED CONTACT MATING LENGTHS, CONSULT MOLEX
FOR AVAILABILITY.
 - THIS PART CONFORMS TO CLASS B REQUIREMENTS OF
COSMETIC SPEC PS-45499-002.
 - PACKAGE PER: PK-70873-802.
 - GUIDED PARTS TO BE SHIPPED WITH 2-56 UNC B SCREW P/N 73774-1000.
 - FOR GROUNDED GUIDE PINS USE DIA 3.56+/-0.08 (PTH),
DIA 3.66 (DRILL), AND DIA 6.5 (PAD).
 - REFER TO PCB ROUTING GUIDE FOR ANTI PAD AND ROUTING RECOMMENDATIONS.

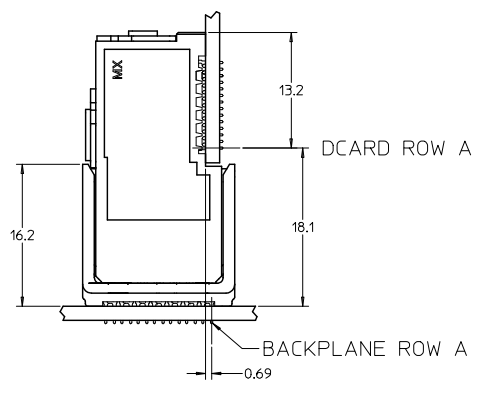
| | | | | | | | |
|--|---|---|-----------------|---------------------------|--------------|---|------------------|
| SEE SHEET ONE EIC INC. LIFE 2009-2507 DRAWINGS: STEWART 2009/04/16 CHECKED: J.B. INGHAM 2009/04/17 APPR.: J.B. INGHAM 2009/04/17 | QUALITY SYMBOLS | GENERAL TOLERANCES (UNLESS SPECIFIED) | DIMENSION STYLE | SCALE | DESIGN UNITS | THIRD ANGLE PROJECTION | |
| | ▽=0 ▽=0 | 4 PLACES ± --- ± --- 3 PLACES ± --- ± --- 2 PLACES ± 0.13 ± --- 1 PLACE ± 0.25 ± --- ANGULAR ± 1/2° | MM ONLY | 4:1 | METRIC | DRAWN BY: BPISZCZOR DATE: 3/28/06 CHECKED BY: JLAURX DATE: 2007/02/06 APPROVED BY: CBIXLER DATE: 2007/02/06 | |
| | DRAFT WHERE APPLICABLE MUST REMAIN WITHIN DIMENSIONS | | SEE CHART | MATERIAL NO. SD-76015-002 | | DOCUMENT NO. SD-76015-002 | |
| | THIS DRAWING CONTAINS INFORMATION THAT IS PROPRIETARY TO MOLEX INCORPORATED AND SHOULD NOT BE USED WITHOUT WRITTEN PERMISSION | | | | | | SHEET NO. 2 OF 4 |

12 11 10 9 8 7 6 5 4 3 2 1

13 12 11 10 9 8 7 6 5 4 3 2 1



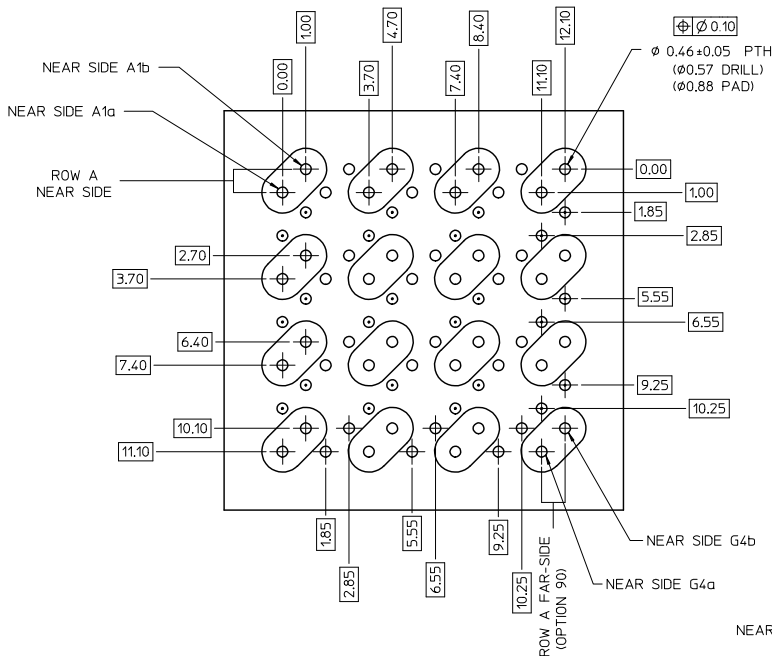
7 ROW I-TRAC BOARD RELATIONSHIPS



| | | | | | | | | | | |
|--|--------------------------------------|--|--------------------|-----------------------------------|--------------------|------------------------|------------------------|---|------------------------------|---------------------|
| SEE SHEET ONE EC NO: UCP2009-2507 DRAWN BY: DORVILLE STEWART 2009/04/16 CHECKED BY: JEFFREY B. INGRAM 2009/04/17 APPR: JEFFREY B. INGRAM 2009/04/17 | QUALITY SYMBOLS ◻=0 ▽=0 | GENERAL TOLERANCES (UNLESS SPECIFIED) | | DIMENSION STYLE MM ONLY | | SCALE 4:1 | DESIGN UNITS METRIC | THIRD ANGLE PROJECTION | | |
| | | 4 PLACES ±--- ±--- | 3 PLACES ±--- ±--- | 2 PLACES ±0.13 ±--- | 1 PLACE ±0.25 ±--- | DRAWN BY BPISZCZOR | DATE 3/28/06 | TITLE I-TRAC BACKPLANE 7 ROW GUIDE LEFT ASSEMBLY SALES DRAWING | | |
| | | ANGULAR ±1/2° | | | | CHECKED BY JLAURX | DATE 2007/02/06 | MOLEX INCORPORATED | | |
| | | DRAFT WHERE APPLICABLE MUST REMAIN WITHIN DIMENSIONS | | | | APPROVED BY CBIXLER | DATE 2007/02/06 | MATERIAL NO. SEE CHART | DOCUMENT NO. SD-76015-002 | SHEET NO. 3 OF 4 |

12 11 10 9 8 7 6 5 4 3 2 1

13 12 11 10 9 8 7 6 5 4 3 2 1



ORTHO PIN MAPPING

OPTION 90 (NEAR SIDE - FAR SIDE)

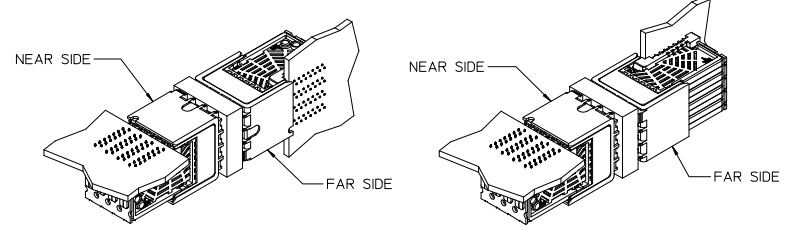
| | | | |
|---------|---------|---------|---------|
| A1b-G4b | A2b-E4b | A3b-C4b | A4b-A4b |
| A1a-G4a | A2a-E4a | A3a-C4a | A4a-A4a |
| C1b-G3b | C2b-E3b | C3b-C3b | C4b-A3b |
| C1a-G3a | C2a-E3a | C3a-C3a | C4a-A3a |
| E1b-G2b | E2b-E2b | E3b-C2b | E4b-A2b |
| E1a-G2a | E2a-E2a | E3a-C2a | E4a-A2a |
| G1b-G1b | G2b-E1b | G3b-C1b | G4b-A1b |
| G1a-G1a | G2a-E1a | G3a-C1a | G4a-A1a |

ORTHO PIN MAPPING

OPTION 270 (NEAR SIDE - FAR SIDE)

| | | | |
|---------|---------|---------|---------|
| A1b-A1a | A2b-C1a | A3b-E1a | A4b-G1a |
| A1a-A1b | A2a-C1b | A3a-E1b | A4a-G1b |
| C1b-A2a | C2b-C2a | C3b-E2a | C4b-G2a |
| C1a-A2b | C2a-C2b | C3a-E2b | C4a-G2b |
| E1b-A3a | E2b-C3a | E3b-E3a | E4b-G3a |
| E1a-A3b | E2a-C3b | E3a-E3b | E4a-G3b |
| G1b-A4a | G2b-C4a | G3b-E4a | G4b-G4a |
| G1a-A4b | G2a-C4b | G3a-E4b | G4a-G4b |

Orthogonal PCB Layout



OPTION 90

OPTION 270

NOTES:

- SIGNAL PAIRS (SHARED VIAS)
- NEAR SIDE GROUNDS
- FAR SIDE GROUNDS

| | | | | | | | | | |
|--|--------------------------------|--|---------------|-----------------------------------|--|--------------|---|------------------------|--|
| REV ORTHO PCB LAYOUT EC NO: UCP2009-2507 DRAWN BY: BPI SZCZOR 2009/04/16 CHECKED BY: JLAURX 2009/04/17 APPR: JB INGRAM 2009/04/17 | QUALITY SYMBOLS | GENERAL TOLERANCES (UNLESS SPECIFIED) | | DIMENSION STYLE MM ONLY | | SCALE 4:1 | DESIGN UNITS METRIC | THIRD ANGLE PROJECTION | |
| | | 4 PLACES | ±--- | ±--- | DRAWN BY | DATE | TITLE I-TRAC BACKPLANE 7 ROW GUIDE LEFT ASSEMBLY SALES DRAWING | | |
| | | 3 PLACES | ±--- | ±--- | CHECKED BY | DATE | Molex MOLEX INCORPORATED | | |
| | | 2 PLACES | ±0.13 | ±--- | APPROVED BY | DATE | MATERIAL NO. SD-76015-002 DOCUMENT NO. SHEET NO. 4 OF 4 | | |
| 1 PLACE | ±0.25 | ±--- | ANGULAR ±1/2° | | DRAFT WHERE APPLICABLE MUST REMAIN WITHIN DIMENSIONS SEE CHART THIS DRAWING CONTAINS INFORMATION THAT IS PROPRIETARY TO MOLEX INCORPORATED AND SHOULD NOT BE USED WITHOUT WRITTEN PERMISSION | | | | |

12 11 10 9 8 7 6 5 4 3 2 1