

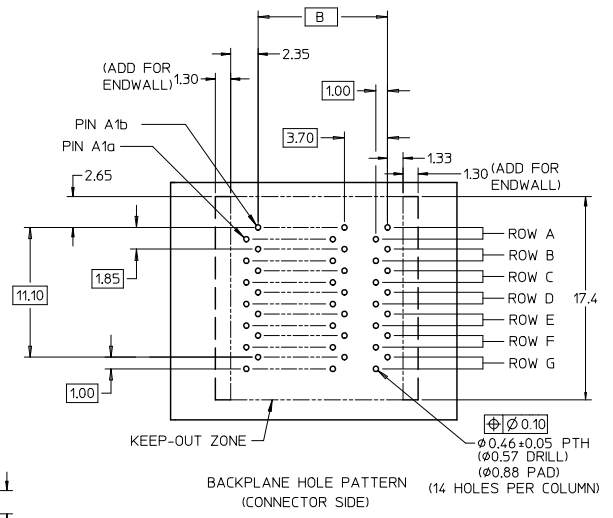
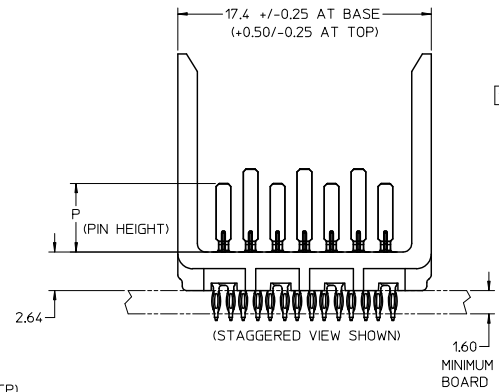
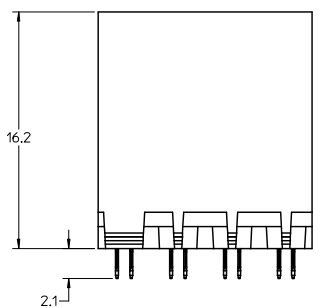
76015-***

MODULE TYPE -- TAIL PLATING TYPE
 UNGUIDED -- TIN/LEAD = 0
 UNGUIDED -- TIN ONLY = 1

OF COLUMNS
 4 = 4 COL
 6 = 6 COL
 1 = 10 COL

PIN LENGTH (P)
 2 = 3.90
 3 = 4.70
 4 = 5.70
 5 = 4.70 & 5.70 STAGGERED

PART STYLE
 0 = OPEN ENDS
 1 = LEFT END WALL
 2 = DUAL END WALL
 3 = RIGHT END WALL



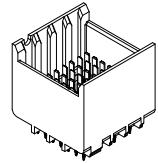
- NOTES:
1. MATERIALS: HOUSING - LIQUID CRYSTAL POLYMER (LCP)
GLASS-FILLED, UL94V-0
TERMINALS - HIGH PERFORMANCE COPPER ALLOY
 2. FINISH: 30uIN MIN. GOLD IN CONTACT AREA.
SELECTIVE TIN/LEAD OR SELECTIVE TIN
ON PCB TAILS, NICKEL OVERALL.
 3. REFER TO MOLEX PRODUCT SPECIFICATION PS-75710-999
FOR PERFORMANCE SPECIFICATIONS.
 4. FOR MIXED CONTACT MATING LENGTHS, CONSULT MOLEX
FOR AVAILABILITY.
 5. THIS PART CONFORMS TO CLASS B REQUIREMENTS OF
MOLEX COSMETIC SPEC PS-45499-002
 6. PACKAGE PER: PK-70873-802.
 7. REFER TO PCB ROUTING GUIDE FOR ANTI PAD AND
ROUTING RECOMMENDATIONS.

| | | | | | | | | | | |
|---------------------------------------------------------------------------------------------------------------------------------|-------------------------------|----------------------------------------------------------------------------------------------------------------------------------|--------------------|----------------------------|--------------------|---------------|----------------------------------|------------------------|------------------------------|-----------------------------------------------------------------------|
| REVISE SHEETS 3 & 4 EC NO. ICP2009-2507 DRWG:STEMART 2009/01/16 CHKD:JB INGHAM 2009/04/17 APPR:JB INGHAM 2009/04/17 | QUALITY SYMBOLS ▽=0 ▽=0 | GENERAL TOLERANCES (UNLESS SPECIFIED) | | DIMENSION STYLE MM ONLY | | SCALE 5:1 | DESIGN UNITS METRIC | THIRD ANGLE PROJECTION | | |
| | | 4 PLACES ±--- ±--- | 3 PLACES ±--- ±--- | 2 PLACES ±0.13 ±--- | 1 PLACE ±0.25 ±--- | ANGULAR ±1/2° | DRAWN BY BPISZCZOR 2007/01/25 | | DATE 2007/01/25 | TITLE I-TRAC BACKPLANE 7 ROW UNGUIDED ASSEMBLY SALES DRAWING |
| | | DRAFT WHERE APPLICABLE MUST REMAIN WITHIN DIMENSIONS | | | | SEE CHART | MATERIAL NO. SD-76015-001 | | DOCUMENT NO. SD-76015-001 | SHEET NO. 1 OF 4 |
| | | THIS DRAWING CONTAINS INFORMATION THAT IS PROPRIETARY TO MOLEX INCORPORATED AND SHOULD NOT BE USED WITHOUT WRITTEN PERMISSION | | | | | | | | |

13 12 11 10 9 8 7 6 5 4 3 2 1

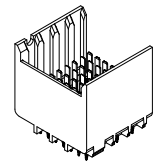
| MATERIAL NUMBER | # OF COLUMNS | DIM 'A' | DIM 'B' |
|---------------------|--------------|---------|---------|
| 76015- \times 42* | 4 | 17.3 | 11.10 |
| 76015- \times 62* | 6 | 24.7 | 18.50 |
| 76015- \times 12* | 10 | 39.5 | 33.30 |

DUAL END STYLE



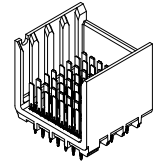
| MATERIAL NUMBER | # OF COLUMNS | DIM 'A' | DIM 'B' |
|---------------------|--------------|---------|---------|
| 76015- \times 41* | 4 | 16.0 | 11.10 |
| 76015- \times 61* | 6 | 23.4 | 18.50 |
| 76015- \times 11* | 10 | 38.2 | 33.30 |

LEFT END STYLE



| MATERIAL NUMBER | # OF COLUMNS | DIM 'A' | DIM 'B' |
|---------------------|--------------|---------|---------|
| 76015- \times 43* | 4 | 16.0 | 11.10 |
| 76015- \times 63* | 6 | 23.4 | 18.50 |
| 76015- \times 13* | 10 | 38.2 | 33.30 |

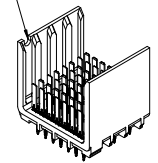
RIGHT END STYLE



| MATERIAL NUMBER | # OF COLUMNS | DIM 'A' | DIM 'B' |
|---------------------|--------------|---------|---------|
| 76015- \times 40* | 4 | 14.7 | 11.10 |
| 76015- \times 60* | 6 | 22.1 | 18.50 |
| 76015- \times 10* | 10 | 36.9 | 33.30 |

OPEN END STYLE

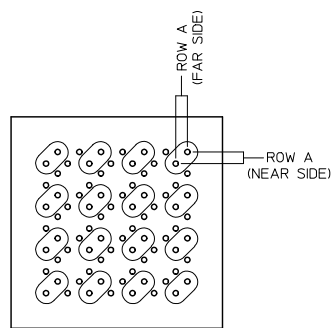
NOTCH DESIGNATES ROW A



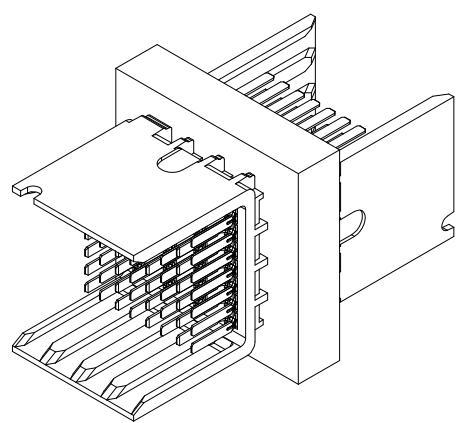
| | | | | | | | | |
|------------------------------------------------------------------------------------------------------------------------------------|--------------------------|---------------------------------------|------------------------------------------------------|-----------------|-------------------------------------------------------------------------------------------------------------------------------|--------------------------------------------------------|--------------|------------------------|
| SEE SHEET ONE EC NO. UEP2009-2307 DRAWN BY: TEMART 2009/04/16 CHECKED BY: INGRAM 2009/04/17 APPR: JB INGRAM 2009/04/17 | QUALITY SYMBOLS | GENERAL TOLERANCES (UNLESS SPECIFIED) | | DIMENSION STYLE | | SCALE | DESIGN UNITS | THIRD ANGLE PROJECTION |
| | $\nabla=0$ $\nabla=0$ | mm | INCH | MM ONLY | | 4:1 | METRIC | |
| | | 4 PLACES ±---- | ±---- | DRAWN BY | DATE | TITLE | | |
| | | 3 PLACES ±---- | ±---- | BPI SZCZOR | 2007/01/25 | I-TRAC BACKPLANE 7 ROW UNGUIDED ASSEMBLY SALES DRAWING | | |
| | 2 PLACES ±0.13 | ±---- | CHECKED BY | DATE | MOLEX INCORPORATED | | | |
| | 1 PLACE ±0.25 | ±---- | JLAURX | 2007/02/06 | MATERIAL NO. DOCUMENT NO. SHEET NO. | | | |
| | ANGULAR ±1/2° | | APPROVED BY | DATE | SD-76015-001 2 OF 4 | | | |
| | | | CBIXLER | 2007/02/06 | THIS DRAWING CONTAINS INFORMATION THAT IS PROPRIETARY TO MOLEX INCORPORATED AND SHOULD NOT BE USED WITHOUT WRITTEN PERMISSION | | | |
| | | | DRAFT WHERE APPLICABLE MUST REMAIN WITHIN DIMENSIONS | | SEE CHART | | | |

12 11 10 9 8 7 6 5 4 3 2 1

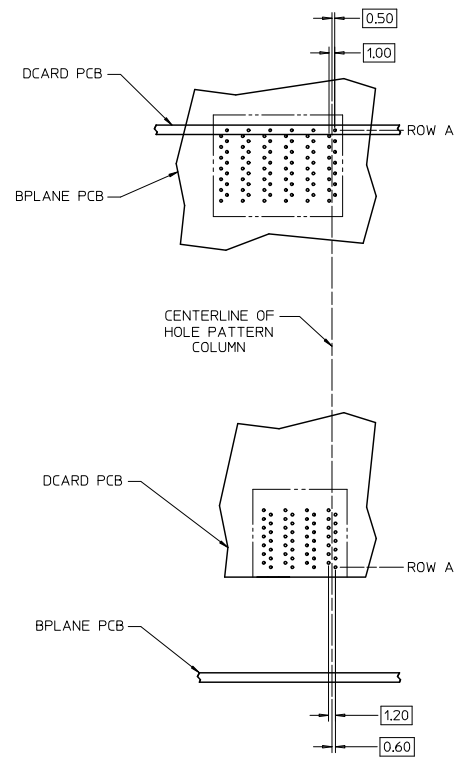
13 12 11 10 9 8 7 6 5 4 3 2 1



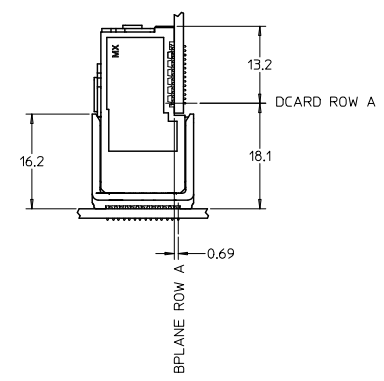
ORTHOGONAL MIDPLANE HOLE PATTERN
(16 SIGNAL PAIRS SHARE VIAS)



16 PAIR ORTHOGONAL MIDPLANE NODE
(USES TWO 4 COLUMN 7 ROW HEADERS)



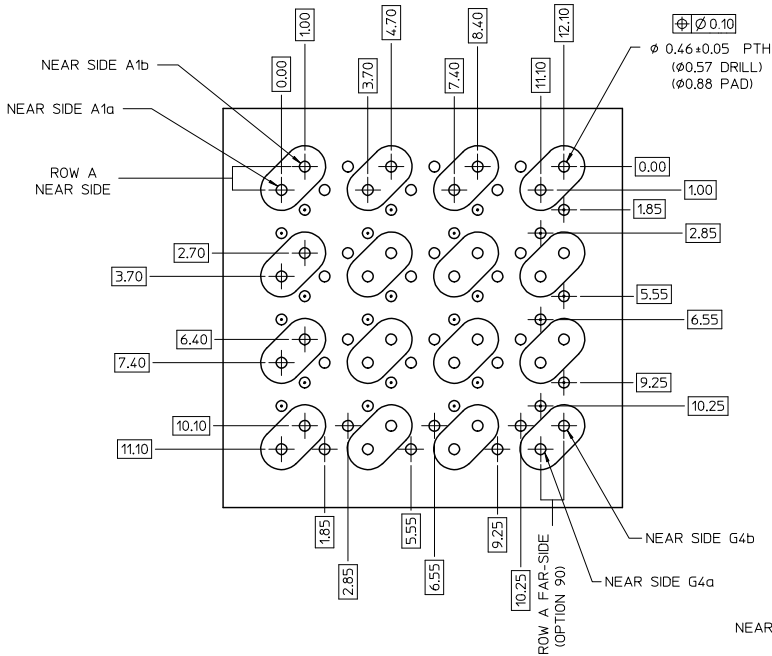
7 ROW I-TRAC
BOARD RELATIONSHIPS
SCALE 2:1



| | | | | | | | | | |
|--------------------------------------------------------------------------------------------------------------------------------------------------|--------------------------|-------------------------------------------------------------------------------------------------------------------------------|--------------------|-----------------|------------|--------------------------------------------------------|--------------|------------------------|--|
| REV ORTHO HOLE PATTERN EC NO: UCP2009-2507 DRAWN BY: STEWART 2009/04/16 CHECKED BY: INGRAM 2009/04/17 APPR: INGRAM 2009/04/17 | QUALITY SYMBOLS | GENERAL TOLERANCES (UNLESS SPECIFIED) | | DIMENSION STYLE | | SCALE | DESIGN UNITS | THIRD ANGLE PROJECTION | |
| | $\nabla=0$ $\nabla=0$ | mm | INCH | MM ONLY | | 4:1 | METRIC | | |
| | | 4 PLACES ±.05 ±.05 | 3 PLACES ±.05 ±.05 | DRAWN BY | DATE | TITLE | | | |
| | | 2 PLACES ±0.13 ±.05 | 1 PLACE ±0.25 ±.05 | BPISZCZOR | 2007/01/25 | I-TRAC BACKPLANE 7 ROW UNGUIDED ASSEMBLY SALES DRAWING | | | |
| | ANGULAR ±1/2° | DRAFT WHERE APPLICABLE MUST REMAIN WITHIN DIMENSIONS | | CHECKED BY | DATE | MATERIAL NO. DOCUMENT NO. SHEET NO. | | | |
| | | SEE CHART | | JLAURX | 2007/02/06 | SD-76015-001 3 OF 4 | | | |
| | | THIS DRAWING CONTAINS INFORMATION THAT IS PROPRIETARY TO MOLEX INCORPORATED AND SHOULD NOT BE USED WITHOUT WRITTEN PERMISSION | | APPROVED BY | DATE | MOLEX INCORPORATED | | | |
| | | | | CBIXLER | 2007/02/06 | | | | |

12 11 10 9 8 7 6 5 4 3 2 1

13 12 11 10 9 8 7 6 5 4 3 2 1



ORTHO PIN MAPPING

OPTION 90 (NEAR SIDE - FAR SIDE)

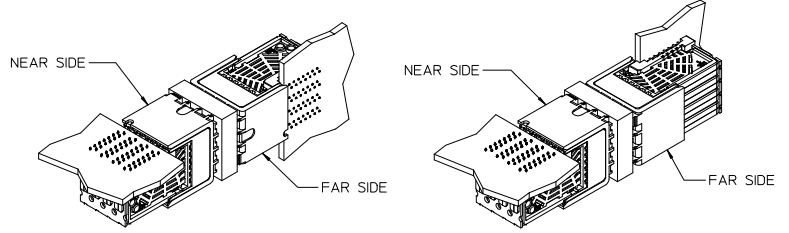
| | | | |
|---------|---------|---------|---------|
| A1b-G4b | A2b-E4b | A3b-C4b | A4b-A4b |
| A1a-G4a | A2a-E4a | A3a-C4a | A4a-A4a |
| C1b-G3b | C2b-E3b | C3b-C3b | C4a-A3b |
| C1a-G3a | C2a-E3a | C3a-C3a | C4a-A3a |
| E1b-G2b | E2b-E2b | E3b-C2b | E4a-A2b |
| E1a-G2a | E2a-E2a | E3a-C2a | E4a-A2a |
| G1b-G1b | G2b-E1b | G3b-C1b | G4b-A1b |
| G1a-G1a | G2a-E1a | G3a-C1a | G4a-A1a |

ORTHO PIN MAPPING

OPTION 270 (NEAR SIDE - FAR SIDE)

| | | | |
|---------|---------|---------|---------|
| A1b-A1a | A2b-C1a | A3b-E1a | A4b-G1a |
| A1a-A1b | A2a-C1b | A3a-E1b | A4a-G1b |
| C1b-A2a | C2b-C2a | C3b-E2a | C4b-G2a |
| C1a-A2b | C2a-C2b | C3a-E2b | C4a-G2b |
| E1b-A3a | E2b-C3a | E3b-E3a | E4b-G3a |
| E1a-A3b | E2a-C3b | E3a-E3b | E4a-G3b |
| G1b-A4a | G2b-C4a | G3b-E4a | G4b-G4a |
| G1a-A4b | G2a-C4b | G3a-E4b | G4a-G4b |

Orthogonal PCB Layout



OPTION 90

OPTION 270

NOTES:

- SIGNAL PAIRS (SHARED VIAS)
- NEAR SIDE GROUNDS
- FAR SIDE GROUNDS

| | | | | | | | | | |
|--------------------------------------------------------------------------------------------------------------------------------------------|-------------------------------|---------------------------------------|------------|-----------------|-------------------------------------------------------------------------------------------------------------------------------|------------|--------------------------------------------------------------|------------------------|--|
| REV ORTHO PCB LAYOUT EC NO: UCF2009-2507 DRAWN BY: STEWART 2009/04/16 CHECKED BY: INGRAM 2009/04/17 APPR: JB INGRAM 2009/04/17 | QUALITY SYMBOLS ▽=0 ▽=0 | GENERAL TOLERANCES (UNLESS SPECIFIED) | | DIMENSION STYLE | | SCALE | DESIGN UNITS | THIRD ANGLE PROJECTION | |
| | | | | MM ONLY | | 4:1 | METRIC | | |
| | | 4 PLACES | ±--- | ±--- | DRAWN BY | DATE | TITLE | | |
| | | 3 PLACES | ±--- | ±--- | BPI SZCZOR | 2007/01/25 | I-TRAC BACKPLANE 7 ROW UNGUIDED ASSEMBLY SALES DRAWING | | |
| 2 PLACES | ±0.13 | ±--- | CHECKED BY | DATE | MATERIAL NO. | | DOCUMENT NO. | | |
| 1 PLACE | ±0.25 | ±--- | JLAURX | 2007/02/06 | SD-76015-001 | | SHEET NO. | | |
| ANGULAR ±1/2° | | APPROVED BY | | DATE | THIS DRAWING CONTAINS INFORMATION THAT IS PROPRIETARY TO MOLEX INCORPORATED AND SHOULD NOT BE USED WITHOUT WRITTEN PERMISSION | | 4 OF 4 | | |
| DRAFT WHERE APPLICABLE MUST REMAIN WITHIN DIMENSIONS | | CBI XLER | | 2007/02/06 | | | | | |

12 11 10 9 8 7 6 5 4 3 2 1