

4

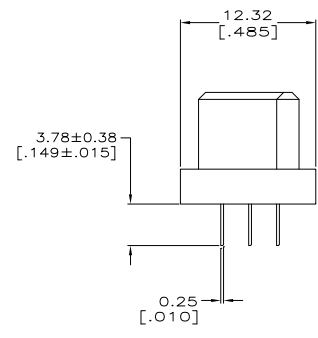
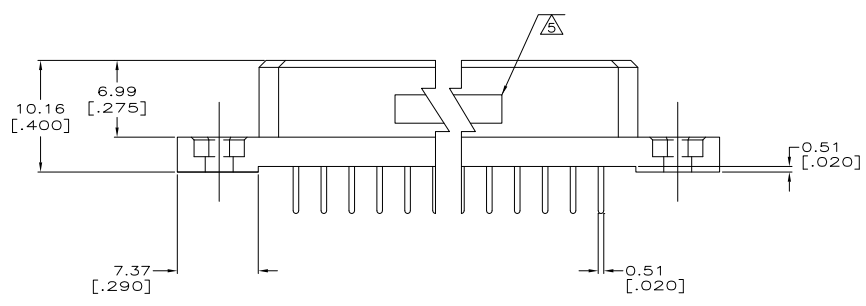
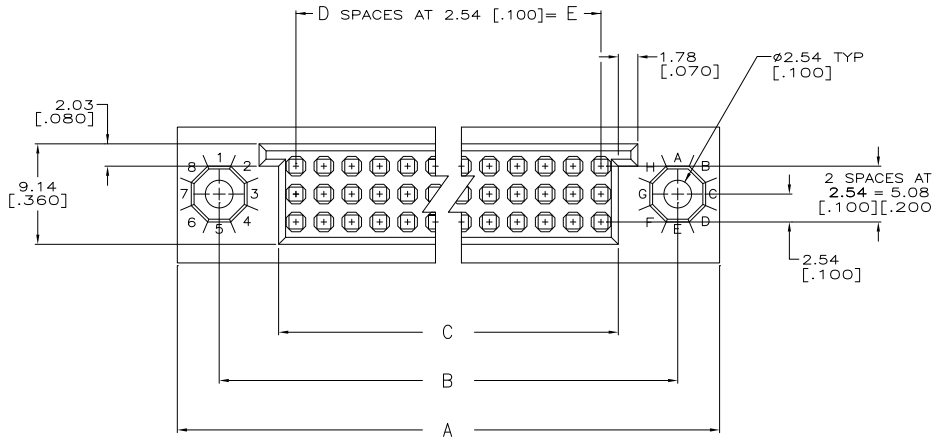
3

2

1

THIS DRAWING IS UNPUBLISHED. RELEASED FOR PUBLICATION - N/A  
 © COPYRIGHT N/A BY TYCO ELECTRONICS CORPORATION. ALL RIGHTS RESERVED.

LOC		DIBT		REVISIONS			
P	LTR	DESCRIPTION	DATE	BY	APPD		
K		REV PER ECO-10-002919	24MAR10	PY	DM		



THIS DRAWING IS A CONTROLLED DOCUMENT.		DR: R. SEIFRIED 10-OCT-84	Tyco Electronics Corporation	
DIMENSIONS: mm (INCHES)		OK: D. RUBENDALL 10-OCT-84	Harrisburg, Pa 17105-3608	
TOLERANCES UNLESS OTHERWISE SPECIFIED:		APP: D. RUBENDALL 10-OCT-84	NAME: BOX II ASSEMBLY	
0 PLC	± .005	APPLICATION SPEC:	3 ROW WITH	
1 PLC	± .005	WEIGHT:	3.78 [.149] SOLDER TAILS	
2 PLC	± .005	FINISH:	RESTRICTED TO	
3 PLC	± 0.13 (.005)	MATERIAL:	A2 00779 C=533287	
4 PLC	± .005	ANGLES:	SCALE: 4:1 SHEET: 1 OF 2 REV: K	
CUSTOMER DRAWING				

AMP 1471-9 REV 31MM2000

533287

4

3

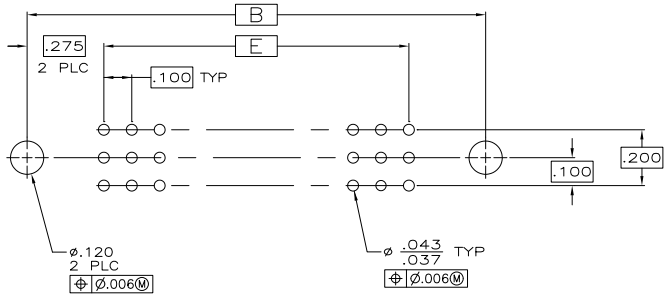
2

1

THIS DRAWING IS UNPUBLISHED. RELEASED FOR PUBLICATION - N/A  
 © COPYRIGHT N/A BY TYCO ELECTRONICS CORPORATION. ALL RIGHTS RESERVED.

LOC	DIST	REVISIONS					
AD	25	P	LTR	DESCRIPTION	DATE	OWN	APPD
		-	-	SEE SHEET 1	-	-	-

- △ HOUSING MATERIAL: THERMOPLASTIC, COLOR - NATURAL (BROWN).
- △ CONTACT MATERIAL: COPPER ALLOY
- △ CONTACT FINISH: 0.00127-0.00254 [.000050-.000100] NICKEL UNDERPLATE ALL OVER, 0.000762 [.000030] GOLD IN CONTACT AREA. TIN-LEAD PLATED SOLDER TAILS.
- 4. DIMENSIONS IN BRACKETS ARE IN INCHES.
- △ TE, PART NO. & DATE CODE MARKED IN THIS APPROXIMATE AREA.
- △ CONTACT FINISH: 0.00127-0.00254 [.000050-.000100] NICKEL UNDERPLATE ALL OVER, 0.000762 [.000030] GOLD IN CONTACT AREA. TIN PLATED SOLDER TAILS.



REVISIONS	DATE	DESCRIPTION	BY	CHKD	APPD	REV	REV
△6	124.46 [4.900]	49	127.61 [5.024]	138.43 [5.450]	146.05 [5.750]	150	5-533287-7
△6	86.36 [3.400]	34	89.51 [3.524]	100.33 [3.950]	107.95 [4.250]	105	5-533287-4
△6	78.74 [3.100]	31	81.89 [3.224]	92.71 [3.650]	100.33 [3.950]	96	5-533287-3
OBSOLETE	144.78 [5.700]	57	147.93 [5.824]	158.75 [6.250]	166.37 [6.550]	174	1-533287-8
△3	251.46 [9.900]	99	254.61 [10.024]	265.43 [10.450]	273.05 [10.750]	300	1-533287-7
△3	238.76 [9.400]	94	234.29 [9.224]	252.73 [9.950]	260.35 [10.250]	285	1-533287-6
△3	226.06 [8.900]	89	229.21 [9.024]	240.03 [9.450]	247.65 [9.750]	270	1-533287-5
△3	213.36 [8.400]	84	216.51 [8.524]	227.33 [8.950]	234.95 [9.250]	255	1-533287-4
OBSOLETE	200.66 [7.900]	79	203.81 [8.024]	214.63 [8.450]	222.25 [8.750]	240	1-533287-3
△3	187.96 [7.400]	74	191.11 [7.524]	201.93 [7.950]	209.55 [8.250]	225	1-533287-2
△3	175.26 [6.900]	69	178.41 [7.024]	189.23 [7.450]	196.85 [7.750]	210	1-533287-1
OBSOLETE	162.56 [6.400]	64	165.71 [6.524]	176.53 [6.950]	184.15 [7.250]	195	1-533287-0
△3	149.86 [5.900]	59	153.01 [6.024]	163.83 [6.450]	171.45 [6.750]	180	533287-9
△3	137.16 [5.400]	54	140.31 [5.524]	151.13 [5.950]	158.75 [6.250]	165	533287-8
△3	124.46 [4.900]	49	127.61 [5.024]	138.43 [5.450]	146.05 [5.750]	150	533287-7
△3	111.76 [4.400]	44	114.91 [4.524]	125.73 [4.950]	133.35 [5.250]	135	533287-6
△3	99.06 [3.900]	39	102.21 [4.024]	113.03 [4.450]	120.65 [4.750]	120	533287-5
△3	86.36 [3.400]	34	89.51 [3.524]	100.33 [3.950]	107.95 [4.250]	105	533287-4
△3	78.74 [3.100]	31	81.89 [3.224]	92.71 [3.650]	100.33 [3.950]	96	533287-3
△3	73.66 [2.900]	29	76.81 [3.024]	87.63 [3.450]	95.25 [3.750]	90	533287-2
△3	60.96 [2.400]	24	64.11 [2.524]	74.93 [2.950]	82.55 [3.250]	75	533287-1

THIS DRAWING IS A CONTROLLED DOCUMENT.		DIN R. SEIFRIED 10-OCT-84		Tyco Electronics Corporation	
DIMENSIONS: mm (INCHES)		D. RUBENDALL 10-OCT-84		Harrisburg, Pa 17105-3608	
TOLERANCES UNLESS OTHERWISE SPECIFIED:		D. RUBENDALL 10-OCT-84		Tyco Electronics Corporation	
0 PLC ± .010		APPLICATION SPEC: -		BOX II ASSEMBLY	
1 PLC ± .010		REVISION: -		3 ROW WITH	
2 PLC ± .010		REVISION: -		3.78 [.149] SOLDER TAILS	
3 PLC ± .010		REVISION: -		RESTRICTED TO: -	
4. ANGLES ± .010		REVISION: -		SIZE CASE CODE DRAWING NO	
MATERIAL: 1-2		REVISION: -		A2 00779 C-533287	
FINISH: 3		REVISION: -		SCALE 4:1 SHEET 2 OF 2 REV K	

AMP 1471-9 REV 31MM2000