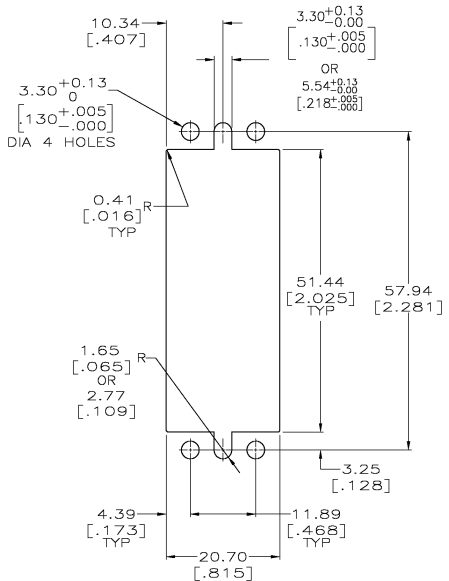
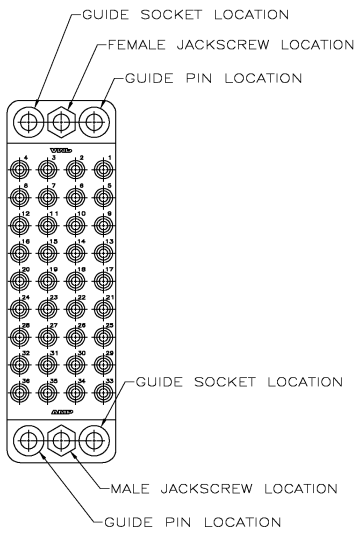
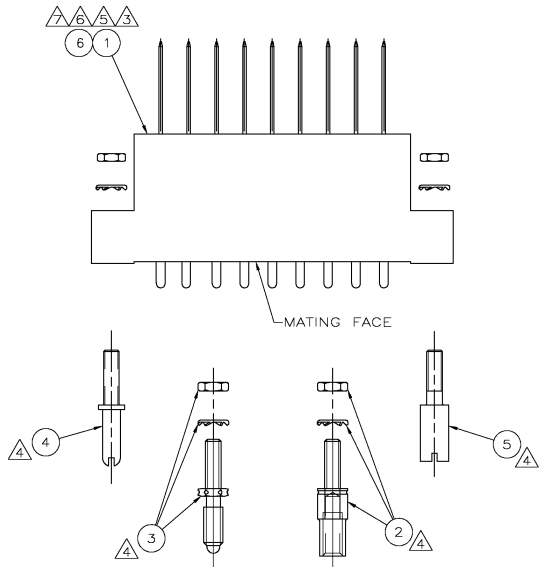


THIS DRAWING IS UNPUBLISHED. RELEASES FOR PUBLICATION. ALL RIGHTS RESERVED.

LOC	QTY	REV	DESCRIPTION	DATE	BY	APP'D
FT	0					
L			REVISED PER 0638-0095-05	3/31/05	SS	GS



MATING FACE

SUGGESTED PANEL CUT-OUT

- REFER TO COMPONENT DRAWINGS FOR DETAILS.
 - FOR MATING KITS SEE AMP DWG. NO. 203959.
- △ PHENOLIC, BLACK W/ 16 PIN CONTACT.
 - △ STAINLESS STEEL.
 - △ PIN CONTACT FOR 3 CLIP, SELECT GOLD PLATE.
 - △ INDICATES A 36 POSITION BLOCK ASSEMBLY.
 - △ TIN-LEAD PLATED POSTS ON 203958-3 AND TIN PLATED POSTS ON 203958-9.

OBSOLETE

ITEM NO.	QTY	PART NO	DESCRIPTION	ITEM NO.
1	1	205629-9	BLOCK ASSEMBLY	6
2	2	200835-2	GUIDE SOCKET ASSY, CORNER	5
3	2	200833-2	GUIDE PIN ASSY, CORNER	4
4	1	200874-1	FIXED JACKSCREW ASSY, MALE	3
5	1	200875-1	FIXED JACKSCREW ASSY, FEMALE	2
6	1	205629-1	BLOCK ASSY FOR TERMI-POINT CLIP	1
7	-9	-3	-1	

THIS DRAWING IS A CONTROLLED DOCUMENT.		DATE: 06/21/94	Tyco Electronics Corporation Harrisburg, Pa 17105-3508
DRAWN BY: K. FOLTZ		DATE: 06/16/94	
DIMENSIONS: mm [INCHES]		APPROVED BY: B. STONE	CONNECTOR KIT, UNASSEMBLED, .200 GRID, AUTOMATIC WIRING, 36 POSN, M SERIES
TOLERANCES UNLESS OTHERWISE SPECIFIED:		PRODUCT SPEC: -	
0 RLC ± .005		APPLICATION SPEC: -	RESTRICTED TO: -
1 RLC ± .010		RECORD: -	SCALE: 2:1
2 RLC ± .015			SHEET 1 OF 1
3 RLC ± .020			REV: -
4 RLC ± .025			
5 RLC ± .030			
6 RLC ± .035			
7 RLC ± .040			
8 RLC ± .045			
9 RLC ± .050			
10 RLC ± .055			
11 RLC ± .060			
12 RLC ± .065			
13 RLC ± .070			
14 RLC ± .075			
15 RLC ± .080			
16 RLC ± .085			
17 RLC ± .090			
18 RLC ± .095			
19 RLC ± .100			
20 RLC ± .105			
21 RLC ± .110			
22 RLC ± .115			
23 RLC ± .120			
24 RLC ± .125			
25 RLC ± .130			
26 RLC ± .135			
27 RLC ± .140			
28 RLC ± .145			
29 RLC ± .150			
30 RLC ± .155			
31 RLC ± .160			
32 RLC ± .165			
33 RLC ± .170			
34 RLC ± .175			
35 RLC ± .180			
36 RLC ± .185			

AMP 1471-9 REV 31MAR2000