

DRAWING MADE IN THIRD ANGLE PROJECTION

© COPYRIGHT 1975 BY AMP INCORPORATED, HARRISBURG, PA.
 ALL INTERNATIONAL RIGHTS RESERVED. AMP INCORPORATED PRODUCTS
 COVERED BY U. S. AND FOREIGN PATENTS AND/OR PATENTS PENDING.

UNLESS OTHERWISE SPECIFIED, THIS DRAWING IS THE PROPERTY OF AMP INCORPORATED. IT IS TO BE USED ONLY FOR THE PROJECT AND QUANTITY SPECIFIED THEREON. IT IS NOT TO BE REPRODUCED OR COPIED IN ANY MANNER WITHOUT WRITTEN PERMISSION OF AMP INCORPORATED.

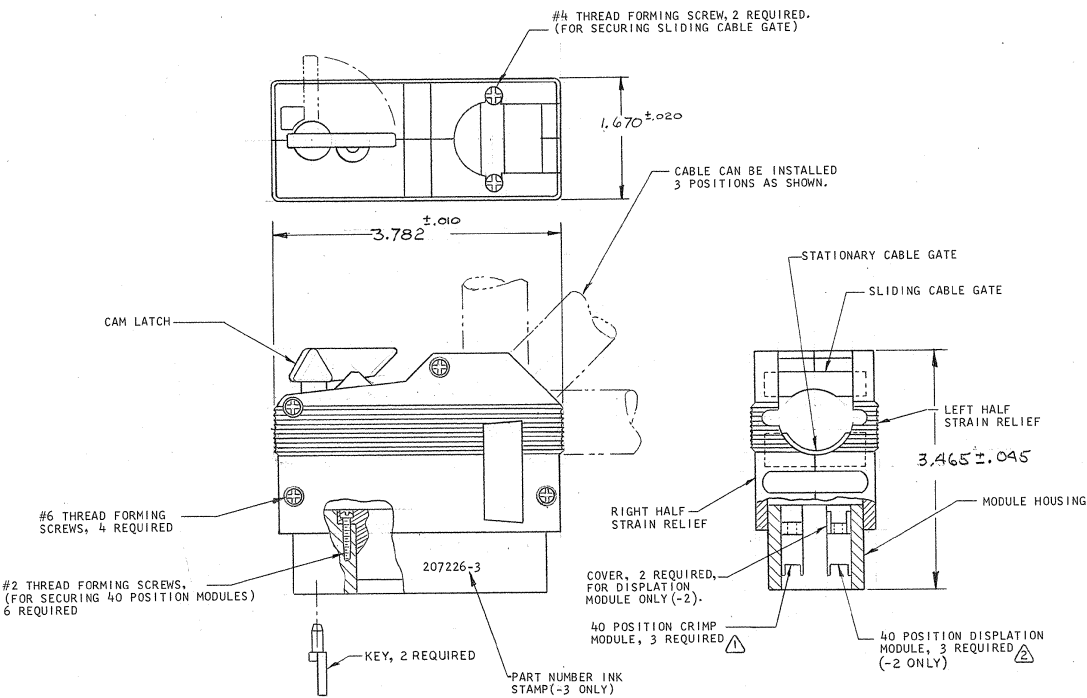
207226-1 1. AS SHOWN. Δ
 2. WITH 3-40 POSITION CRIMP MODULES.

207226-2 1. SAME AS -1 EXCEPT:
 2. WITH 3-40 POSITION DISPLATION MODULES.

OBSOLETE SAME AS -1 EXCEPT:
 2. AMP PART NUMBER INK STAMPED ON EITHER
 SIDE OF HOUSING

OBSOLETE SAME AS -1 EXCEPT:
 2. FOR CABLE .395-.600 DIA.

REVISONS		DATE	APPROVED
A	F ZONE LTR	DESCRIPTION	
✓	C	RELEASED	9/4/75 WJ/CS
✓	A	ADD OVERALL DIM'S	5-397 12/7/75 CS
✓	B	ADDED -3 PER ECN 4-787	5-12/75 CS
✓	C	RODED -4 PER ECN 2-1490	9/17/75 CS
✓	D	OBS. -3#-4 / ECN R-2520	1-21/75 MHL
✓	E	REV PER 0630-0401-03 CT	2-09/75 CT



- Δ 40 POSITION CRIMP MODULES ACCEPT "F" CRIMPED CONTACTS, (CONTACTS NOT SUPPLIED, MUST BE ORDERED SEPARATELY).
- Δ 40 POSITION DISPLATION MODULES ARE SUPPLIED WITH CONTACTS.
- Δ MAT'L-ALL PARTS: GLASS FILLED BLACK THERMOPLASTIC.
- Δ ALL ASSY SCREWS ARE STEEL, ZINC PLATED.
- Δ FOR CABLE .750-1.000 DIA.

UNLESS OTHERWISE SPECIFIED DIMENSIONS ARE IN INCHES. TOLERANCES ON: DECIMALS \pm .010 ANGLES \pm .1°		CONTRACT NO 12/4/75	AMP INCORPORATED Harrisburg, Pa.	PART NO
MATERIAL Δ	DR 12/4/75	CHK 12/16/75		NAME CABLE KIT, SIZE I, 120 POSITION, ZERO ENTRY CONN., SERIES "CR"
FINISH /	APPR 12/16/75	APPR 12/16/75	SIZE CODE IDENT NO C 00779	DRAWING NO 207226
OTHER APPD			SCALE /	"CR" SHEET 1 OF 1

CUSTOMER DRAWING

AMP 1471-6 (7-75)

CUST B 207226