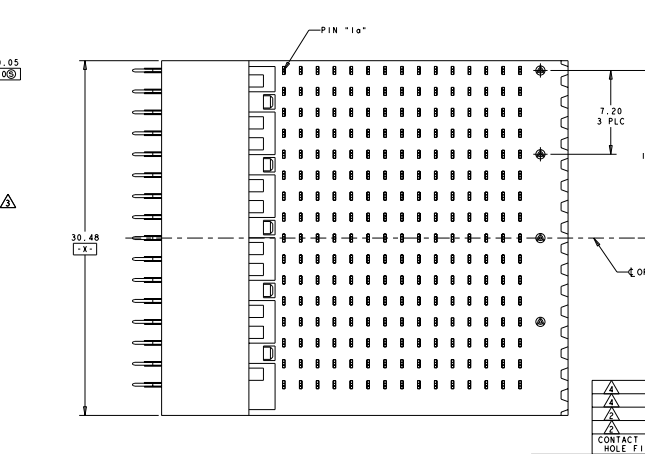
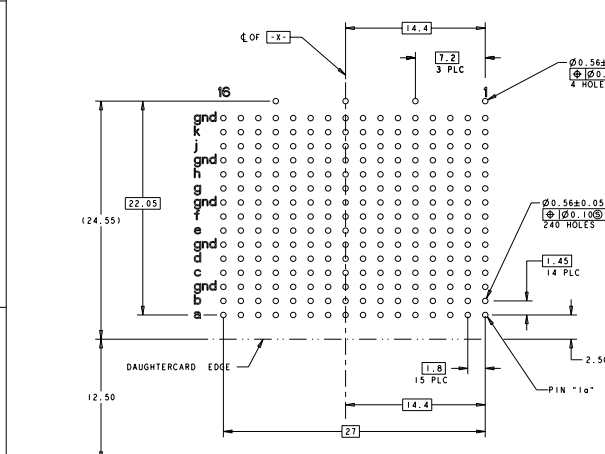
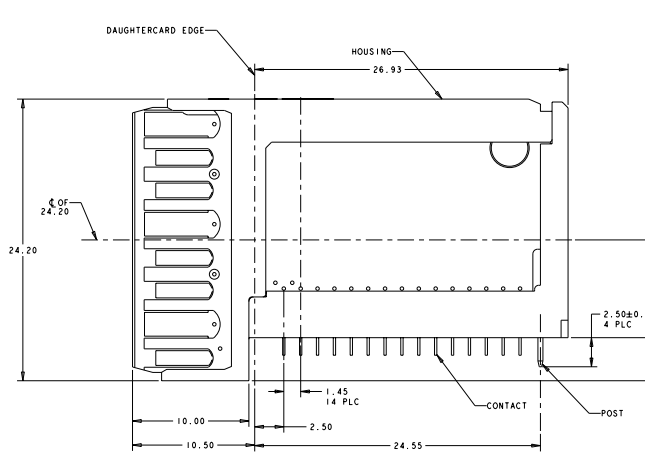
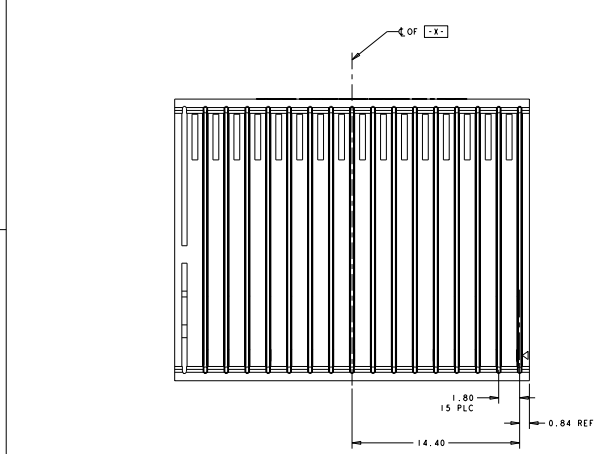


REV	DATE	DESCRIPTION	BY	CHK	APP
A	EC 0512-0341-04		PLUMB	BR	GG
A1	REVISED PER ECO-10-000445		PLUMB	KK	HR



- △ HOUSING: LCP, UL94V-0, BLACK.
CONTACT: PHOSPHOR BRONZE.
POST: BRASS WIRE.
- △ CONTACT: 0.76 μm GOLD PER ASTM B 488 IN CONTACT AREA.
1.27 μm MIN TIN-LEAD ON PCB TAIL.
OVER 1.27 μm MIN NICKEL PER SAE AMS-00-W-290 OVER ALL.
POST: 1.27 μm MIN NICKEL.
- △ MANUFACTURING TOLERANCE FOR A $\varnothing 0.56 \pm 0.05$ FINISHED HOLE.
DRILLED HOLE: $\varnothing 0.65 \pm 0.02$
COPPER PLATE: 0.050 ± 0.025
TIN/LEAD PLATE: 0.0124 ± 0.0038
- △ CONTACT: 0.76 μm GOLD PER ASTM B 488 IN CONTACT AREA.
1.27 μm MIN MATTE TIN PER ASTM B 545 ON PCB TAIL.
OVER 1.27 μm MIN NICKEL PER SAE AMS-00-W-290 OVER ALL.
POST: 1.27 μm MIN NICKEL.
- △ MANUFACTURING TOLERANCE FOR A $\varnothing 0.575 \pm 0.045$ FINISHED HOLE WITHOUT TIN LEAD PLATING.
DRILLED HOLE: $\varnothing 0.65 \pm 0.02$
COPPER PLATING: 0.025 ± 0.050
- △ OBSOLETE PARTS: OBSOLETE CIS STREAMLINING PER D.RENAUD/D.SINISI

CONTACT TAIL/HOLE FINISH	DESCRIPTION	PART NO
△	DIFFERENTIAL PAIR, NONSEQUENTIAL	1410217-4
△	SINGLE END, NONSEQUENTIAL	1410217-3
△	DIFFERENTIAL PAIR, NONSEQUENTIAL	1410217-2
△	SINGLE END, NONSEQUENTIAL	1410217-1

DRAWING NO: 30072002 REV: 001 DATE: 08/20/08 BY: PLUMB CHECKED: BR APPROVED: GG MATERIAL: LCP, PHOSPHOR BRONZE, BRASS WIRE	TITLE: RIGHT ANGLE PLUG ASSEMBLY, RIGHT END, FULL, 25.4mm MultiGig RT I, DAUGHTERCARD CONNECTOR PART NO: 1410217-1 CUSTOMER DRAWING: A100779-1410217	DATE: 08/20/08 TIME: 11:46:38 AM DRAWING NO: 30072002 REV: 001 DATE: 08/20/08 BY: PLUMB CHECKED: BR APPROVED: GG	TITLE: RIGHT ANGLE PLUG ASSEMBLY, RIGHT END, FULL, 25.4mm MultiGig RT I, DAUGHTERCARD CONNECTOR PART NO: 1410217-1 CUSTOMER DRAWING: A100779-1410217
--	--	---	--